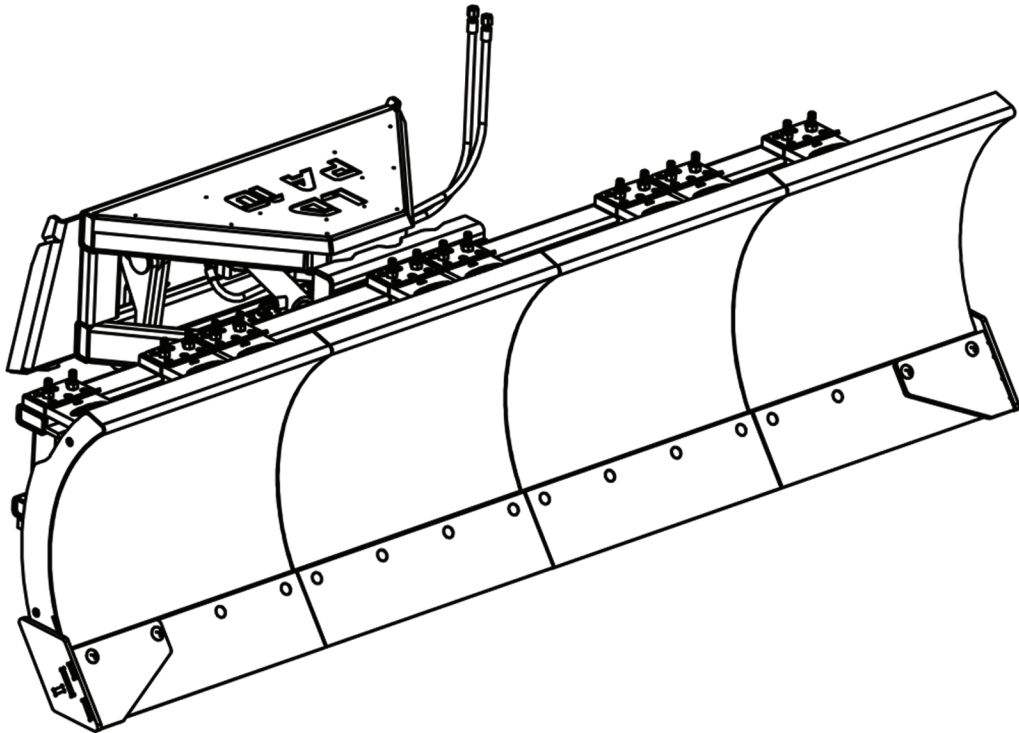




# SECTIONAL NO-PLOW™

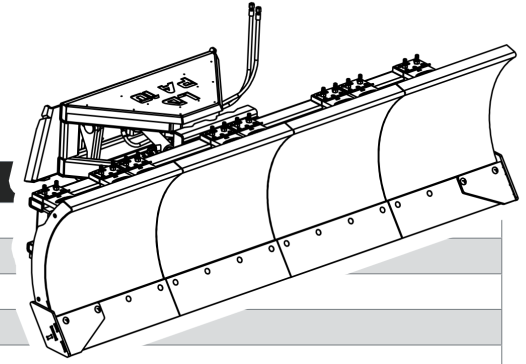
LIGHT DUTY POWER ANGLE  
PARTS MANUAL



## TABLE OF CONTENTS

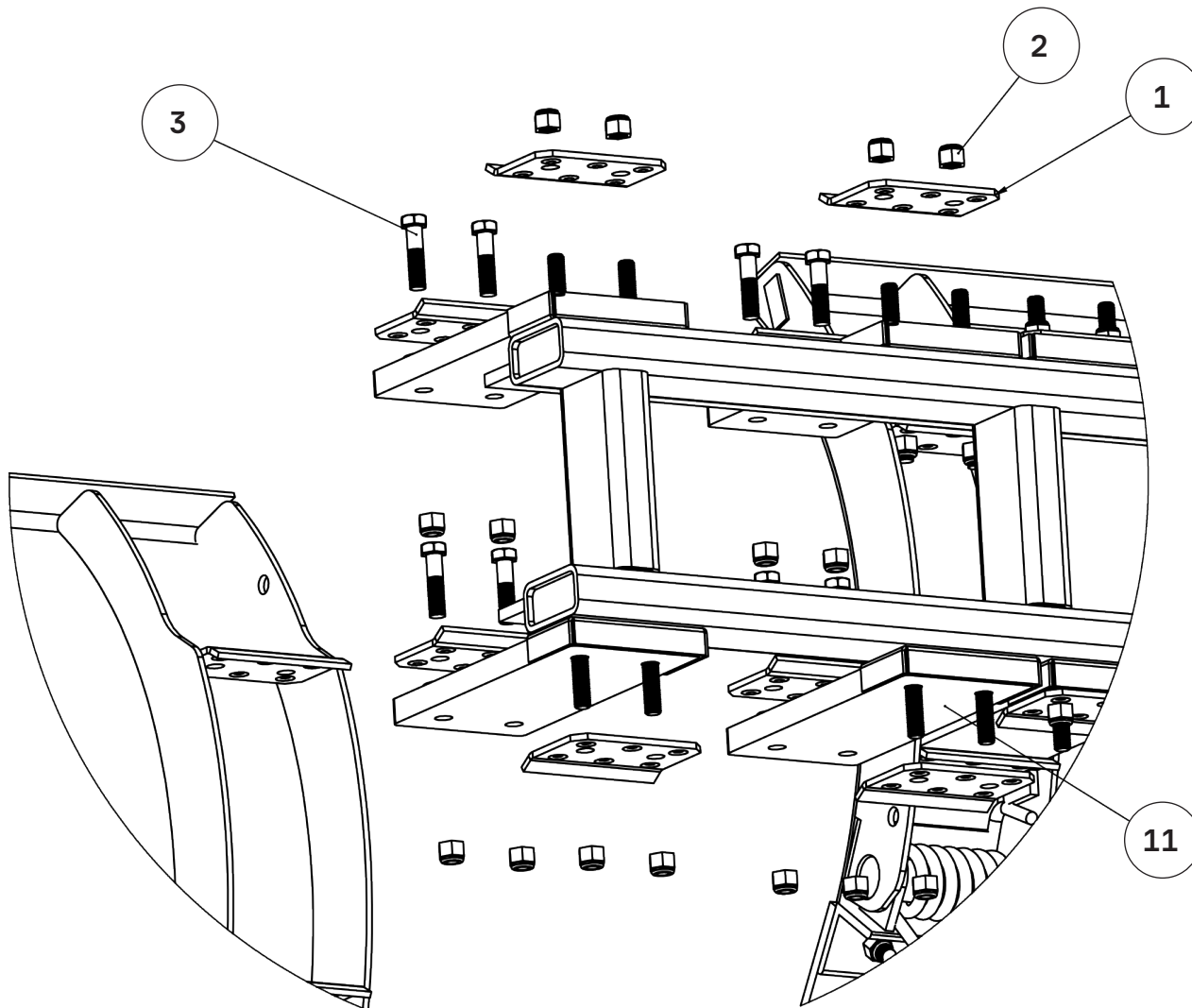
<b>Bill of Materials</b> .....	<b>3</b>
<b>Polyblocks</b> .....	<b>4</b>
<b>Cutting Edges</b> .....	<b>5</b>
<b>Swivel Plate</b> ( <i>Frame Side</i> ) .....	<b>6</b>
<b>Main Angle Pin</b> .....	<b>7</b>
<b>A-Frame and Cylinders</b> .....	<b>8</b>
<b>A-Frame and Skid Steer Plate</b> .....	<b>9</b>
<b>LDPA Left Outer Moldboard</b> .....	<b>10</b>
<b>LDPA Inner Moldboard</b> .....	<b>11</b>
<b>LDPA Right Outer Moldboard</b> .....	<b>12</b>

## BILL OF MATERIALS



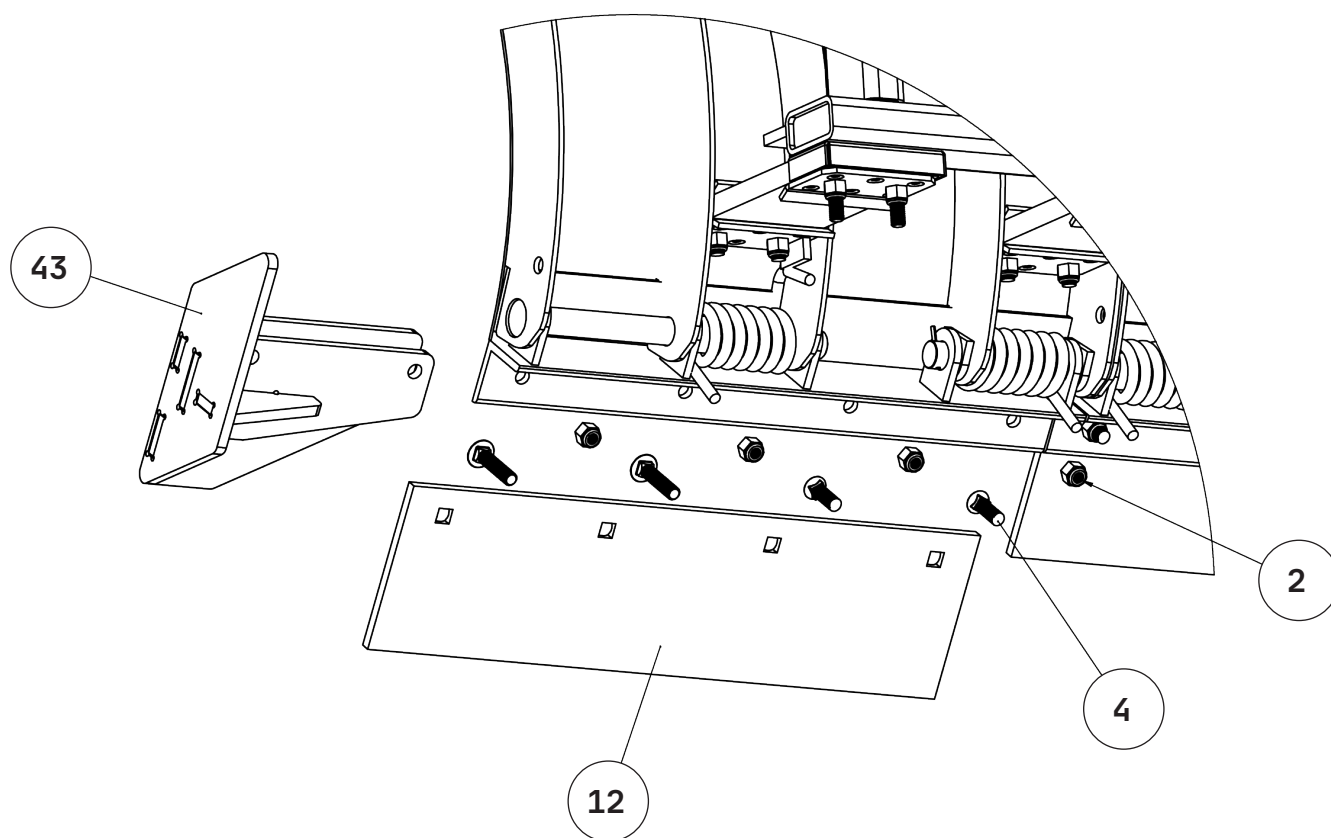
ITEM	PART NO.	DESCRIPTION
1	7006	Poly Block Washer
2	7061	5/8-11in. nylock nut
3	7062	5/8-11 x 2.5in. hex head bolt
4	7063	5/8-11 x 2in. plow bolt
5	7066	1-8 hex head castle nut
6	7069	Cotter Pin, 5/32 X 3
7	7091	5/8 x 1 7/16in. flat washer
8	7092	LD slip hitch pin
9	7096	1/4-20 nylock hex nut
10	7097	1/4-20 x 2in. hex head bolt
11	10205	LD Polyurethane Block, 1in. Thick
12	34621	Moldboard Cutting Edge, 30" Light-Duty, AR400
13	LDPA2034	LDPA 10ft. cover plate - sheet metal - 0.125in. THK
14	LDPA2301	LDPA 8ft. frame
15	LDPA9028	1 1/2 - 6 castle nut
16	LDPA9031	LDPA main angle pin washer - cut - 0.25in. THK
17	LDPA9032	LDPA main swivel pin washer - cut - 0.375in. THK
18	LDPA9033	LDPA outer swivel pin washer - cut - 0.25in. THK
19	LDPA9035	LDPA cover colored backing plate - cut - 0.0625in. THK
20	LDPA9047-Rod	NA
21	LDPA9047	LDPA Cylinder
22	LDPA9049	3/4-10 nylock hex nut
23	LDPA9056	LDPA slip hitch washer - cut - 0.1875in. THK
24	LDPA9063	5/8-11 x 3in. carriage bolt
25	LDPA9064	-8 Oring to -8 JIC 90 degree fitting
26	LDPA9066	-8 JIC to -8 hose fitting
27	LDPA9067	LDPA crossover hose
28	LDPA9068	LDPA angle cylinder restrictor - 0.053in. diameter
29	LDPA9069	-8 JIC 90 hose fitting - 90 degree
30	LDPA9070 hose	LDPA 7ft. hose whip
31	LDPA9071 hose	LDPA 8ft. hose whip
32	LDPA9302	LDPA A-Frame swivel box
33	LDPA9303	LDPA A-Frame
34	LDPA9304	LDPA skid steer plate
35	LDPA9305	LDPA main angle pin cover
36	LDPA9308	LDPA moldboard - outer left
37	LDPA9309	LDPA moldboard - outer right
38	LDPA9314	LDPA moldboard - inner
39	LDPA9315	LDPA main angle pin
40	LDPA9316	LDPA rear angle cylinder pin
41	LDPA9317	LDPA front angle cylinder pin
42	LDPA9318	LDPA curb guard - right
43	LDPA9320	LDPA curb guard - left

# POLYBLOCKS



ITEM	PART NO.	DESCRIPTION
1	7006	Poly Block Washer
2	7061	5/8-11in. nylock nut
3	7062	5/8-11 x 2.5in. hex head bolt
11	10205	LD Polyurethane Block, 1in. Thick

## CUTTING EDGES



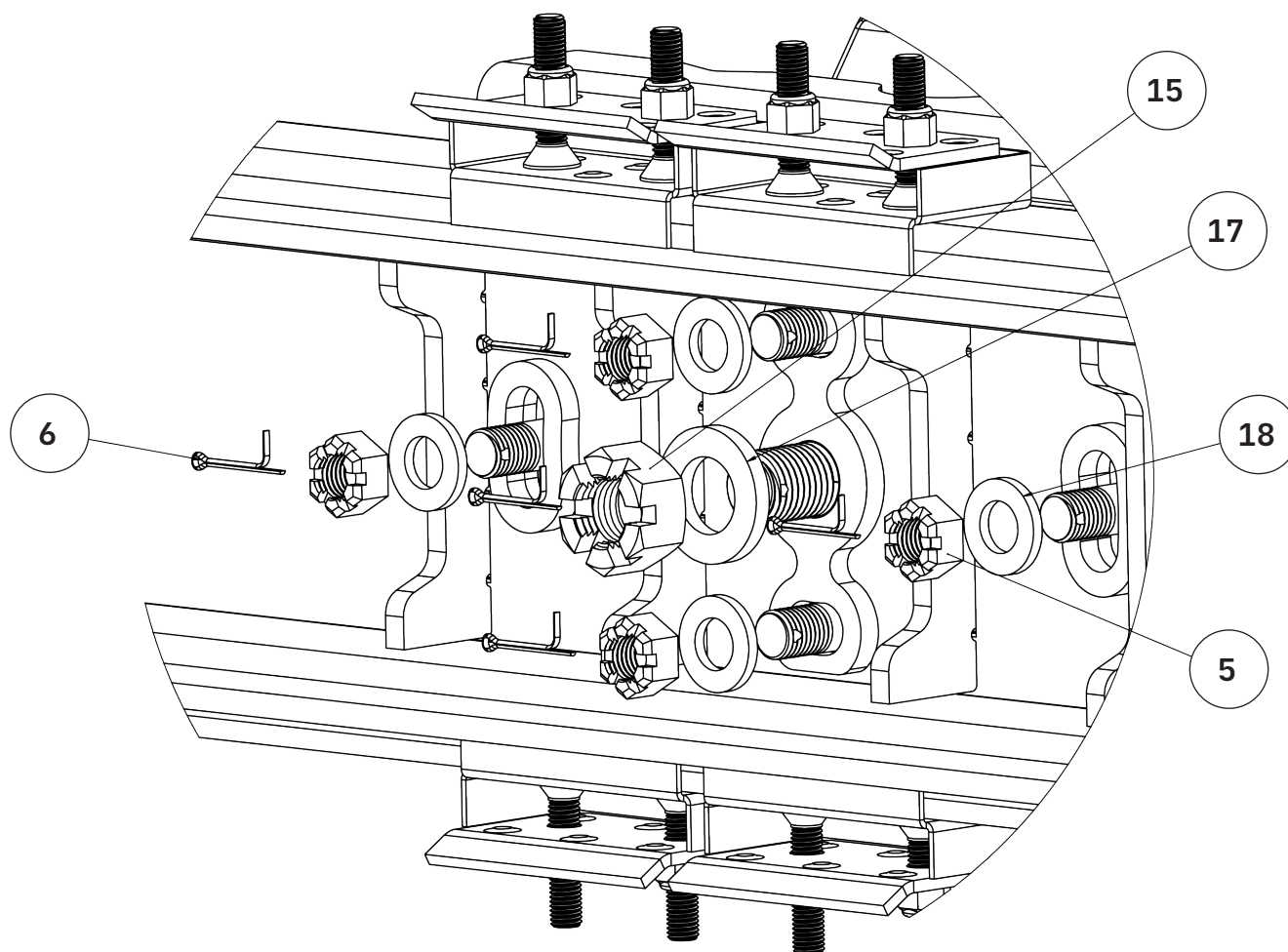
ITEM	PART NO.	DESCRIPTION
2	7061	5/8-11in. nylock nut
4	7063	5/8-11 x 2in. plow bolt
12	34621	Moldboard Cutting Edge, 30" Light-Duty, AR400
43	LDPA9320	LDPA curb guard - left

**SECTIONAL**  
**SNO-PLOW™**

Arctic Sectional Sno-Plow™ LDPA Parts Manual

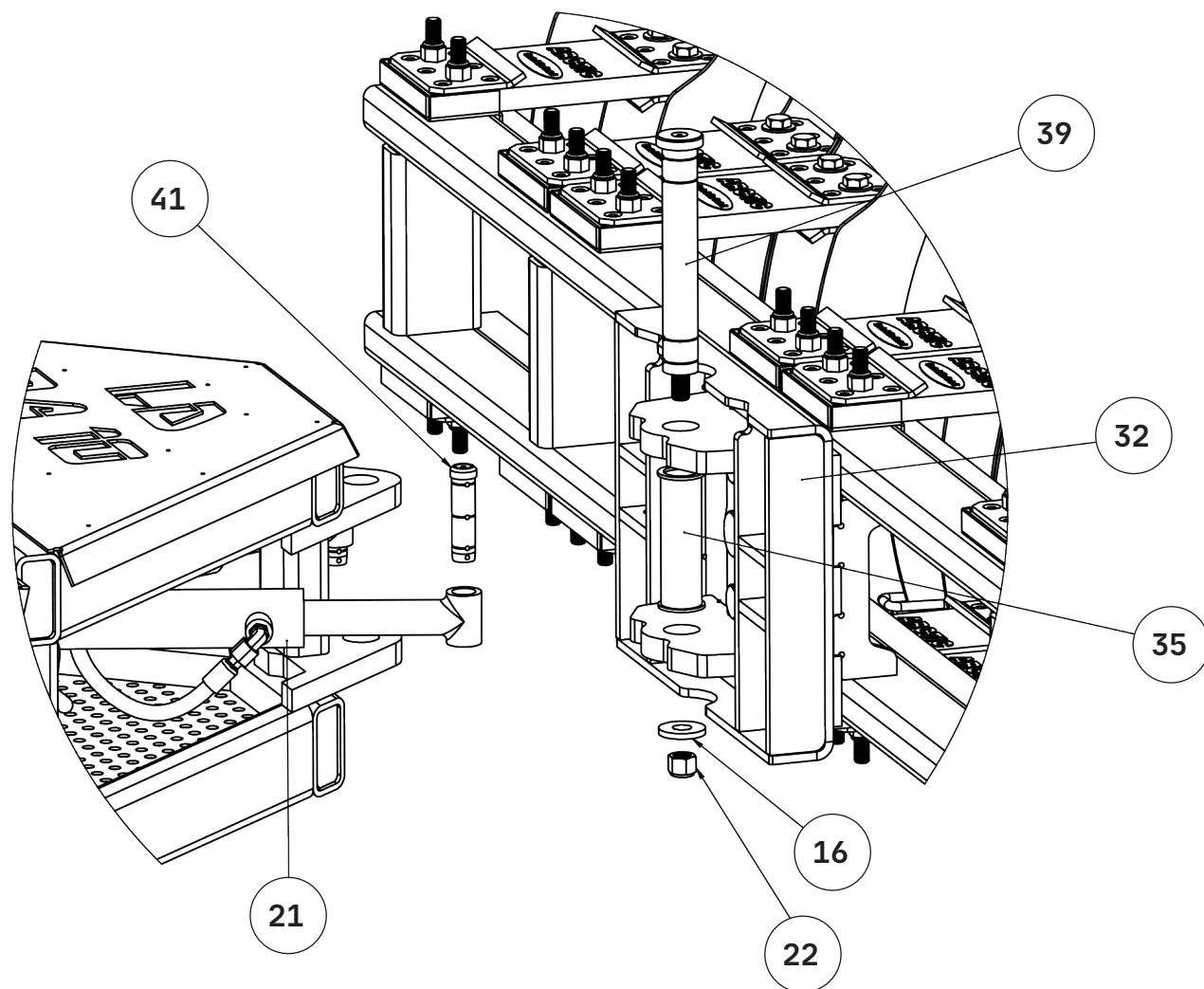
www.arcticsnowproducts.com | 5

## SWIVEL PLATE (FRAME SIDE)



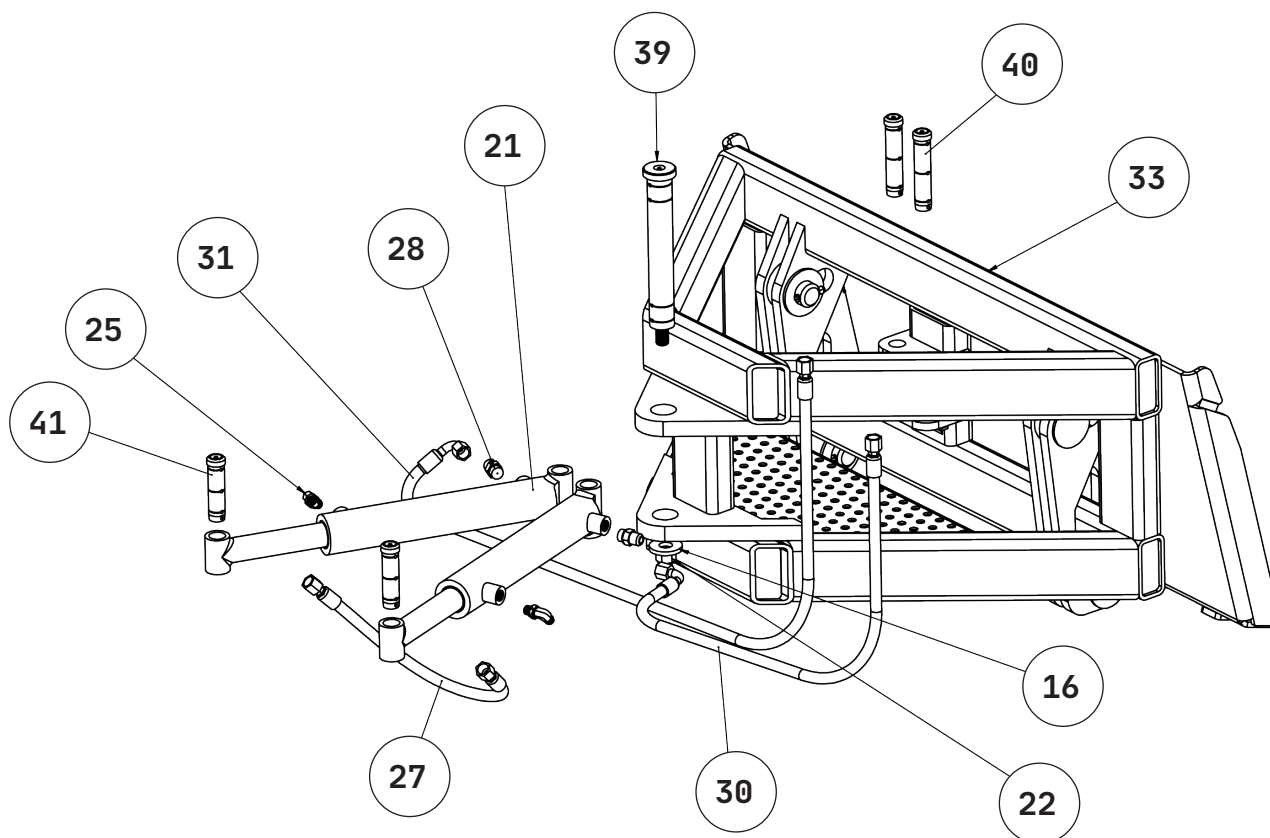
ITEM	PART NO.	DESCRIPTION
5	7066	1-8 hex head castle nut
6	7069	Cotter Pin, 5/32 X 3
15	LDPA9028	1 1/2 - 6 castle nut
17	LDPA9032	LDPA main swivel pin washer - cut - 0.375in. THK
18	LDPA9033	LDPA outer swivel pin washer - cut - 0.25in. THK

## MAIN ANGLE PIN



ITEM	PART NO.	DESCRIPTION
16	LDPA9031	LDPA main angle pin washer - cut - 0.25in. THK
21	LDPA9047	LDPA Cylinder
22	LDPA9049	3/4-10 nylock hex nut
32	LDPA9302	LDPA A-Frame swivel box
35	LDPA9305	LDPA main angle pin cover
39	LDPA9315	LDPA main angle pin
41	LDPA9317	LDPA front angle cylinder pin

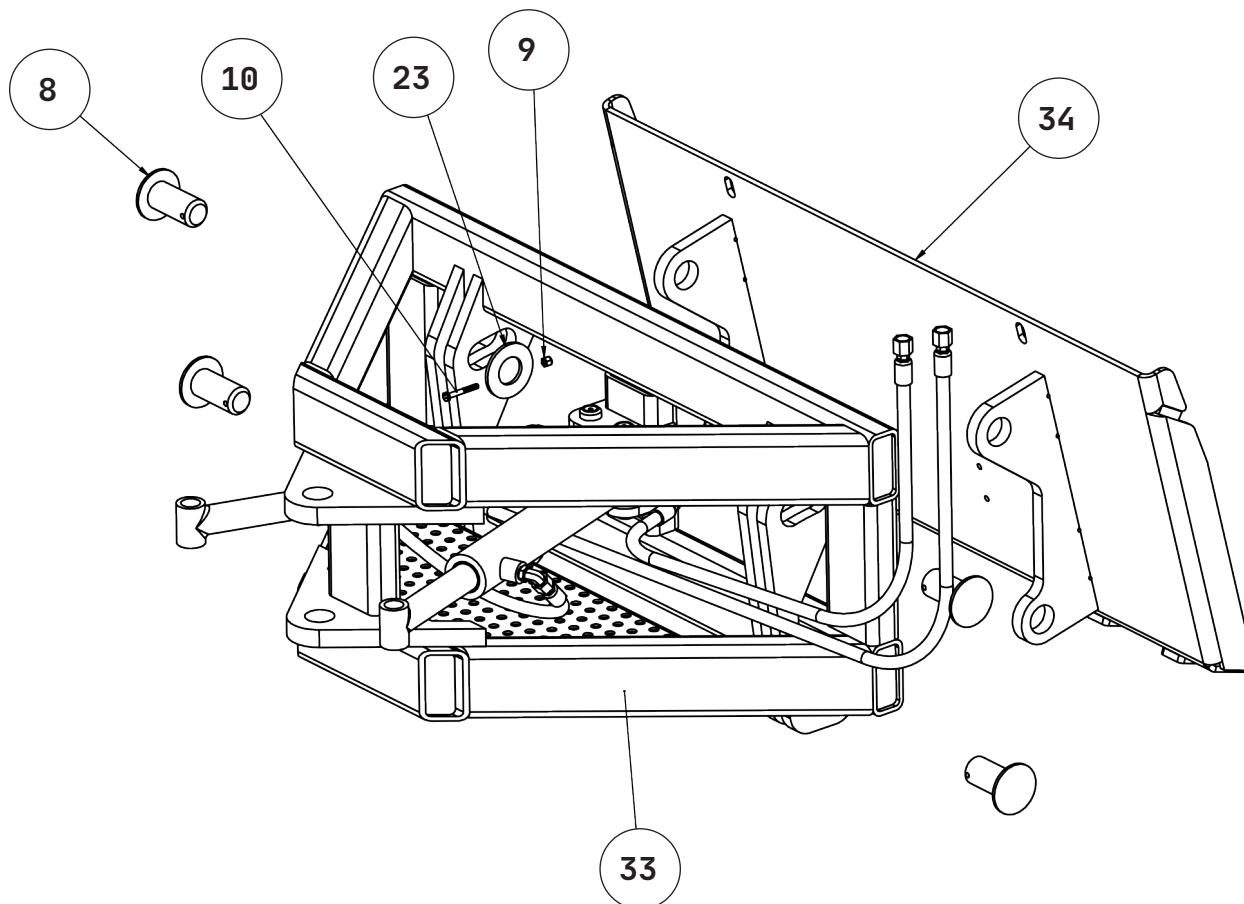
## A-FRAME AND CYLINDERS



ITEM	PART NO.	DESCRIPTION
16	LDPA9031	LDPA main angle pin washer - cut - 0.25in. THK
21	LDPA9047	LDPA Cylinder
22	LDPA9049	3/4-10 nylock hex nut
25	LDPA9064	-8 Oring to -8 JIC 90 degree fitting
27	LDPA9067	LDPA crossover hose
28	LDPA9068	LDPA angle cylinder restrictor - 0.053in. diameter
30	LDPA9070 hose	LDPA 7ft. hose whip
31	LDPA9071 hose	LDPA 8ft. hose whip
33	LDPA9303	LDPA A-Frame
39	LDPA9315	LDPA main angle pin
40	LDPA9316	LDPA rear angle cylinder pin
41	LDPA9317	LDPA front angle cylinder pin

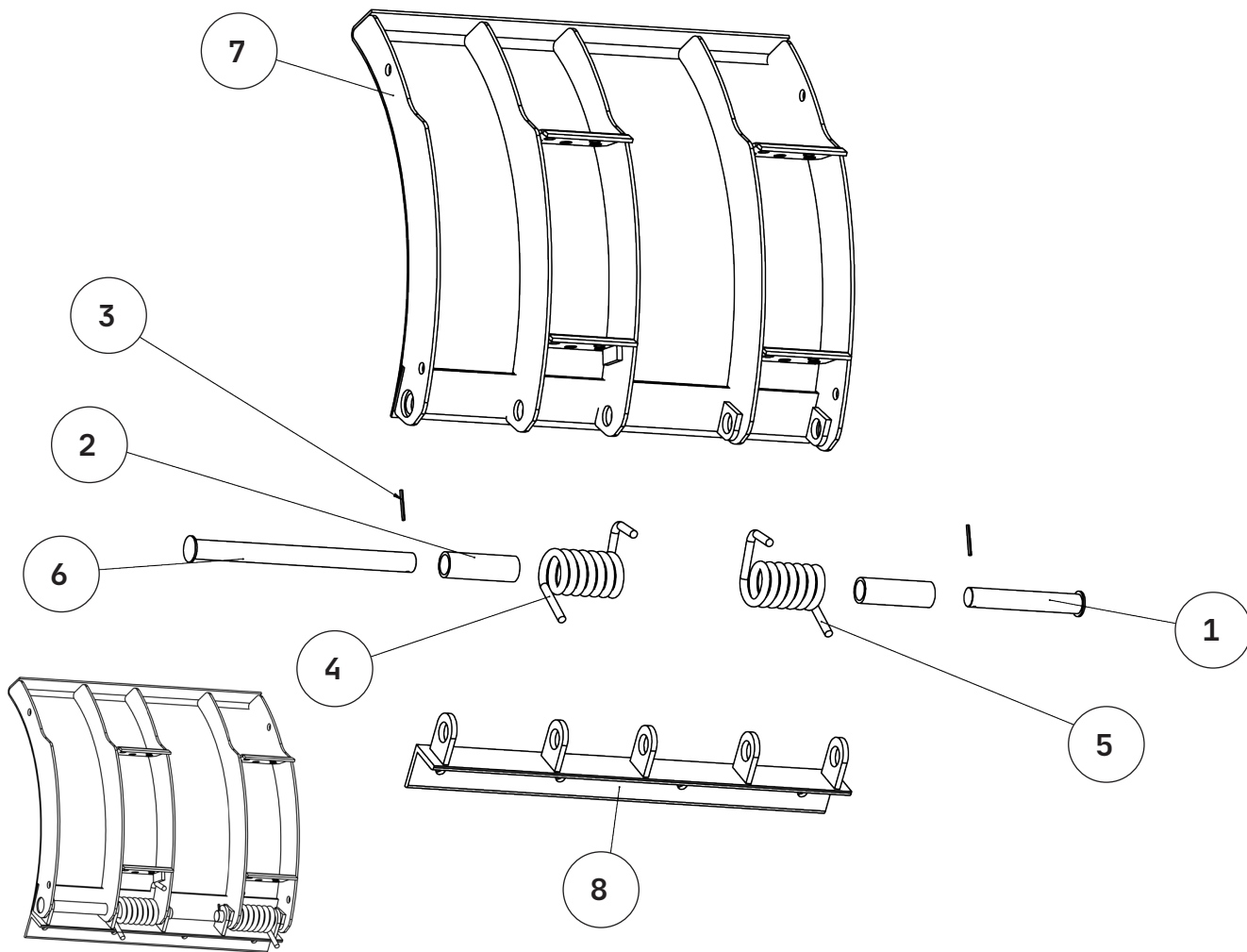


## A-FRAME AND SKID STEER PLATE



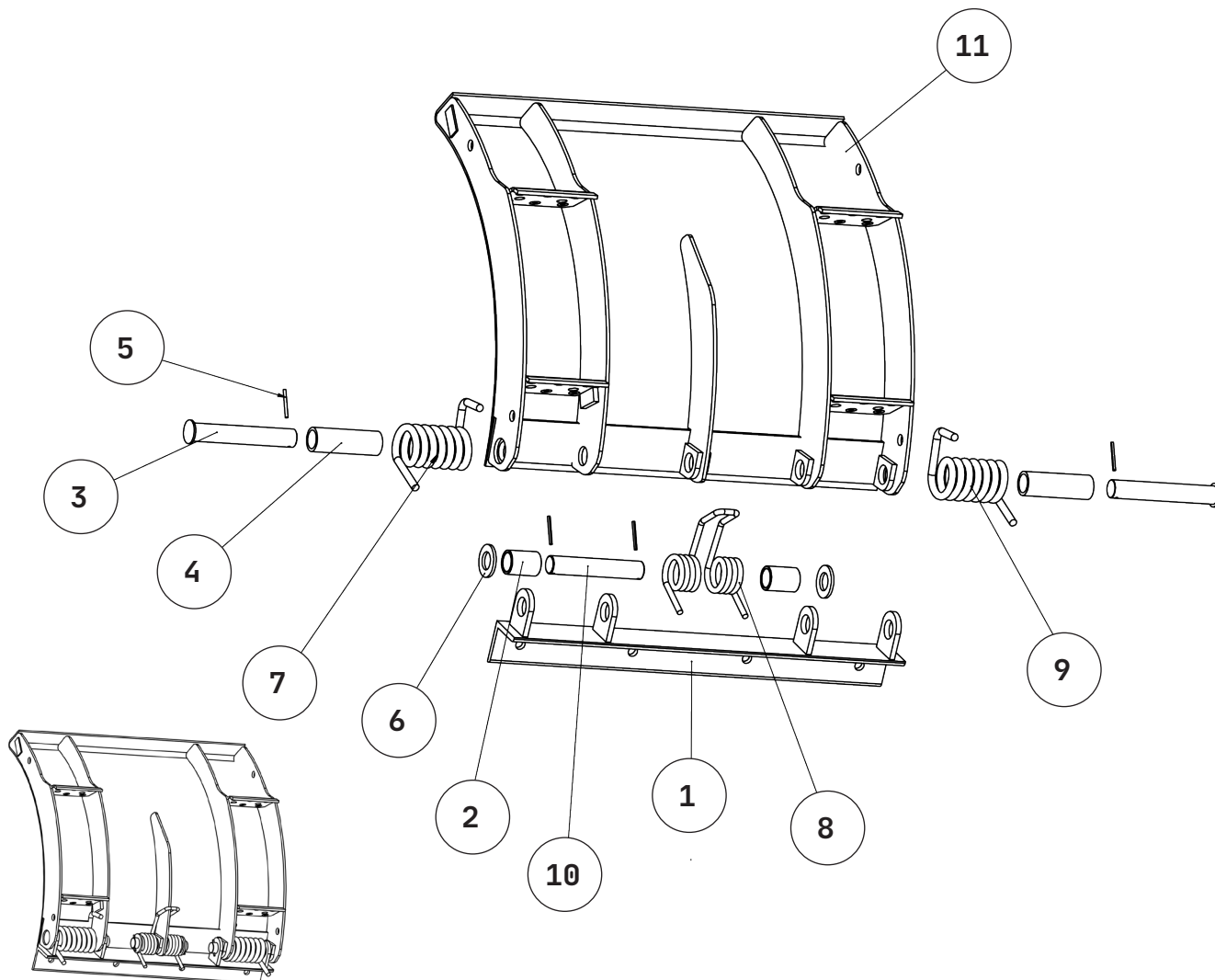
ITEM	PART NO.	DESCRIPTION
8	7092	LD slip hitch pin
9	7096	1/4-20 nylock hex nut
10	7097	1/4-20 x 2in. hex head bolt
23	LDPA9056	LDPA slip hitch washer - cut - 0.1875in. THK
33	LDPA9303	LDPA A-Frame
34	LDPA9304	LDPA skid steer plate

# LDPA LEFT OUTER MOLDBOARD



ITEM	PART NO.	DESCRIPTION
1	7038	Outer Trip Edge Pin
2	7073	Outer Trip Edge Pin Sleeve
3	7078	3/16 x 2in. Roll Pin
4	7112	Left Torsion Spring
5	7117	Right Torsion Spring
6	LDPA9039	LDPA Outer Trip Edge Pin
7	LDPA9306	LDPA Moldboard Weldment – Outer Left
8	LDPA9311	LDPA Outer Left Trip Edge Angle

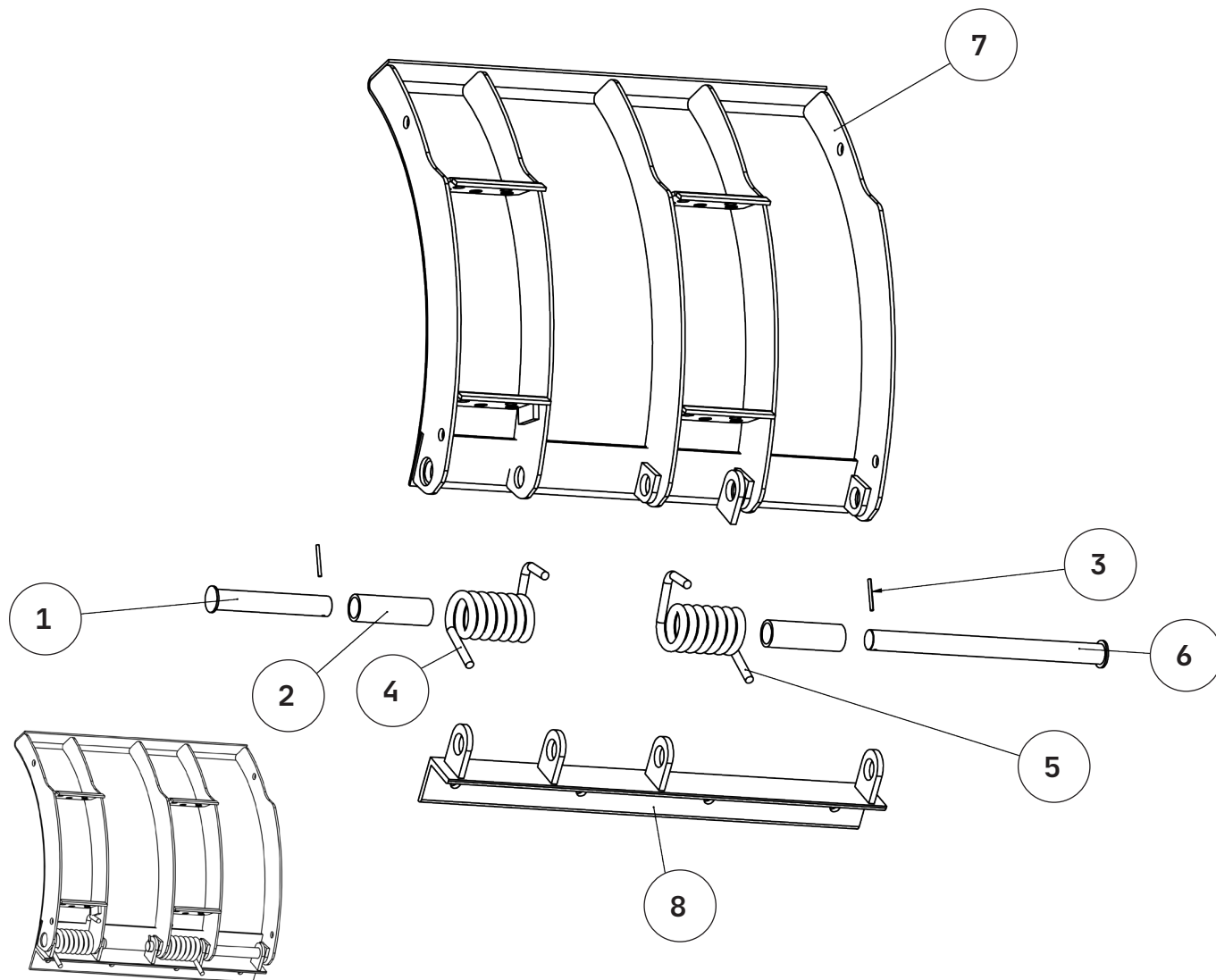
# LDPA INNER MOLDBOARD



ITEM	PART NO.	DESCRIPTION
1	7011	Light Duty Trip Edge Weldment – 30in. Wide
2	7037	Center Trip Edge Pin Sleeve
3	7038	Outer Trip Edge Pin
4	7073	Outer Trip Edge Pin Sleeve
5	7078	3/16 X 2in. Roll Pin
6	7081	1.25 X 2.25in. Flat Washer
7	7112	Left Torsion Spring
8	7113	Center Torsion Spring
9	7117	Right Torsion Spring
10	7119	Center Trip Edge Pin
11	LDPA9313	LDPA Moldboard Weldment – Inner

**SECTIONAL**  
**SNO-PLOW™**

# LDPA RIGHT OUTER MOLDBOARD



ITEM	PART NO.	DESCRIPTION
1	7038	Outer Trip Edge Pin
2	7073	Outer Trip Edge Pin Sleeve
3	7078	3/16 X 2in. Roll Pin
4	7112	Left Torsion Spring
5	7117	Right Torsion Spring
6	LDPA9039	LDPA Outer Trip Edge Pin
7	LDPA9307	LDPA Moldboard Weldment – Outer Right
8	LDPA9312	LDPA Trip Edge Weldment – Outer Right