



OWNER'S MANUAL

SECTIONAL SNO-PUSHER™

COMPACT DUTY ▪ LIGHT DUTY ▪ HEAVY DUTY

CD-6.5	LD-8	LD-13	HD-11.5	HD-17	HD-22
CD-8.5	LD-10.5	LD-15.5	HD-14	HD-19.5	HD-27.5



⚠ CAUTION

Please read this document before installing, operating or servicing your Arctic Sectional Sno-Pusher™.

THANK YOU

Thank you for buying an Arctic Sectional Sno-Pusher™. As a new owner of this attachment, it is vital that you spend some quality time with this owner's manual to learn the ins and outs of this product. It is easy to follow and will enhance your ownership experience, while providing valuable information on installation, operation, safety, parts and maintenance.

To protect your investment, it is mandatory that you register your new Arctic attachment at arcticsnowproducts.com/warranty immediately. It will only take a few minutes and **only a properly pre-registered pusher is eligible for warranty service consideration.** Once registered, you will receive updates on product enhancements, new products, instructional videos and recalls, as well as helpful tips on operation and maintenance.

Thank you again for your recognition of excellence. You can expect your Arctic Sectional Sno-Pusher™ to provide dependable, high quality performance for many years to come. If you have any questions, please contact us at arcticsnowproducts.com or call (815) 469-8001.



Randy W. Strait
Owner & CEO, Arctic Snow & Ice Products®



TABLE OF CONTENTS

04	About Arctic Snow & Ice Products	23	Maintenance & Repair
06	Warranty Information	24	Readying The Pusher For The Season
08	Arctic Sectional Sno-Pusher™	25	Cleaning, Storing & Maintaining The Pusher In The Offseason
08	Getting To Know Your Sectional Sno-Pusher™	26	Replacing Cutting Edges
10	Polyblocks: What They Do & Why We Use Them	27	Replacing Polyblocks
11	Slip-Hitch™ Universal Coupler System: How It All Connects	30	Replacing Wear Shoes
12	Operational Procedures	31	Replacing Trip Edge Springs
13	Safety Precautions & Warnings	32	Assembly & Parts
14	Proper Machine to Use With Your Sectional	33	Compact Duty Series
15	Before Each Use	40	Light Duty Series
16	Fitting Coupler Hooks to Your Machine (HD Models Only)	47	Heavy Duty Series
17	Attaching The Pusher To Your Machine	54	Parts
18	Important tips to use when operating sectional Pushers and Plows		
20	Plowing Considerations		
21	Proper Way To Stack Snow		
22	Scraping Hardpack And Ice		

WHY SNOW CONTRACTORS TRUST ARCTIC

WE DEVELOP PRODUCTS FOR THE SERIOUS CONTRACTOR BECAUSE WE ARE A SERIOUS CONTRACTOR

Arctic Snow and Ice Products is the only major snow products manufacturer that is also one of the largest snow contractors in America, with over 40 years of experience. With over 450 light and heavy duty loaders, skid steers and salt trucks, Arctic owns the nation's largest self operating fleet. That is why you know that before any of our products go to market, we have tested them thoroughly in the real world conditions of bitter Chicago winters.

Our Arctic Sectional Sno-Pusher™ leads the industry in efficiency, maintainability, safety and value — and pays for itself in its first season of use. That's how we built it — that's why we use it! We are proud to say that we only build what we use, and we only use what we build. Uncompromising quality for uncompromising weather...that's Arctic.



DOUBLEDOWN™
SALT BUCKET



SECTIONAL SNO-PLOW™



SIDESWIPE™



ARCTIC'S LIMITED 2 YEAR WARRANTY

What is Covered

This warranty covers defects in welds and workmanship except as set forth below. From the date of purchase.

Who is Covered

The original purchaser from an authorized dealer.

What You Must Do For Warranty Service

During this period, the user is responsible for informing the Dealer/Distributor of any problem(s) within 10 days of the problem(s). The Dealer/Distributor must then notify the manufacturer by phone or e-mail.

Failure to fully complete the warranty registration form, with proof of purchase, within 30 days upon receipt of product will void warranty.

What is Not Covered

This warranty does not cover:

1. Failure Resulting from Abuse
2. Improper Service
3. Misuse
4. Negligence
5. Accidental Impact
6. Improper Operation
7. Any Design Modifications and Any Use of 3rd Party Wear Parts
8. Wear Parts (Shoes, Hardware, Cutting Edges, Polyblocks)
9. Corrosion
10. Injury / Death
11. Loss of Revenue or Profit

To be covered under Arctic's Limited 2 Year Warranty, it is **mandatory** that you register your pusher.

DO NOT FORGET TO REGISTER YOUR PUSHER.

Register at:
arcticsnowproducts.com/warranty



LIMITED 2 YEAR WARRANTY POLICY

Manufacturer warrants the Sectional Sno-Pusher™ to be free of defects of material and workmanship for a period of two (2) years from the date of delivery by the customer. During this period, the user is responsible for informing the Dealer/Distributor of any problem(s) within 10 days of the problem(s). The Dealer/Distributor must then notify the manufacturer by phone or e-mail. (Failure to fully complete the warranty registration form, with proof of purchase, within 30 days upon receiving a new Sectional Sno-Pusher™ will void warranty.)

The manufacturer will not warranty any wear parts such as wear shoes, poly mounting blocks, torsion springs, hardware and cutting edges. Warranty excludes failure resulting from abusive, improper service, misuse, negligence, accidental impact, improper operation, any design modifications and/or the use of 3rd party wear parts, corrosion, injury and/or death, and loss of revenue or profit. The manufacturer will void all warranties specific or implied.

All claims must be discussed with an authorized representative of the manufacturer prior to any repairs, or warranty will be void. Recommended repairs and costs are to be discussed with and agreed upon in advance by manufacturer's representative. Repair or labor (at an agreed rate) will be performed by a manufacturer's specified dealer, and at a repair shop designated by the manufacturer. The repair or replaced product shall be guaranteed for the applicable warranty's remaining period. All shipping costs associated with any repairs are the customer's responsibility.



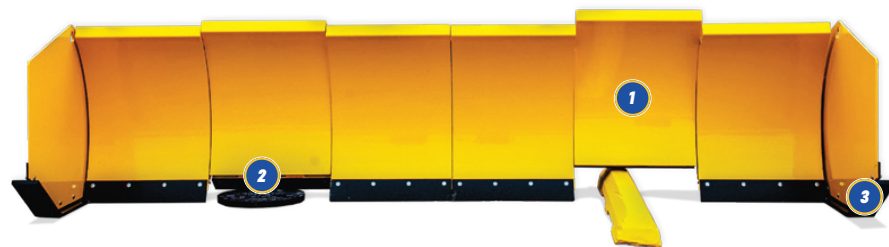
IMPORTANT

Fill out & save this section for your records

Date Purchased:		Dealer Name:	
Model Purchased:		Dealer Address:	
Serial Number:		Dealer Phone#:	

GETTING TO KNOW YOUR

SECTIONAL SNO-PUSHER™



1. Individual Sectioned Moldboards

Allows the pusher to contour to the surface for cleaner passes. Each moldboard section independently floats up to 9 inches over obstacles, as well as dipping into depressions.

2. AR400 Steel Trip Cutting Edges

Steel cutting edges scrape compacted snow and ice down to the pavement. The spring-loaded design allows the cutting edge to trip back on pavement anomalies up to 4 inches in height.

3. AR400 Steel Wear Shoes

The wear shoes lay flat on the surface to prevent premature wear while also skiing over obstacles and protecting side panels from impacts.

4. Mechanical Side Panels

This feature allows the pusher to maintain contact with the ground at all times, thus containing snow more effectively. Lift up to 9 inches high to glide over and around obstacles and clean curb lines quickly and completely.

5. Polyurethane Mounting Blocks

Secure each moldboard section to the pusher's mainframe, absorbing impact to protect the pusher, machine and operator. The "polyblocks" are key to allowing each section to contour to pavement variations and scrape down to the bare surface in a single pass. They also provide the operator the ability to apply variable down pressure to easily remove ice or hardpacked snow.

6. Slip-Hitch™ Universal Coupler System

Allows for quick & easy changeover to any quick connect couplers or bucket mounts to fit any equipment manufacturer's mounting system. It floats up and down independently from the machine, and automatically self-levels the pusher. It also allows the machine to keep all four tires on the ground for full traction.

THE ORIGINAL SECTIONAL
NOTHING ELSE COMES CLOSE



POLYBLOCKS: WHAT THEY DO & WHY WE USE THEM

Critical to the design performance of the Arctic Sectional Sno-Pusher™ are the polyurethane mounting blocks that allow the individual sections to move up and down, contour to uneven road surfaces and avoid collision damage. Furthermore, they flex to allow an operator to apply thousands of pounds of additional down pressure, if desired, directly to the cutting edge, allowing it to scrape up ice and hardpacked snow as if it were powder, something that heavy duty springs cannot do. This technology is patented and exclusive to Arctic.

The “polyblocks” as they are called also provide a unique safety benefit to the operator and to the pusher in that they are designed to buffer impact damage that would normally be severe enough to damage the overall integrity of the pusher. Under those circumstances, one or more polyblocks will act like fuses and absorb all of the punishment breaking, if necessary, in order to protect more costly metal components or the frame itself. The level of damage avoided would be enough to bend the main moldboard or frame of a traditional pusher, making the cost of replacing a broken polyblock in that instance a far more desirable solution. Please note that the formula that is used for Arctic’s polyurethane blocks is proprietary and was developed over several years. Using aftermarket polyblocks on your Arctic Sectional can lead to damaging results and will void your warranty.

Please report any Arctic dealer that is selling aftermarket parts or suggesting the use of aftermarket parts.



SLIP-HITCH™ UNIVERSAL COUPLER SYSTEM: HOW IT ALL CONNECTS

Before the Arctic Slip Hitch™ Universal Mounting System was ever developed, there were three significant problems with the way snow attachments were joined with construction equipment or tractors. First, each pusher came with a welded coupler that was custom fitted to the machine, thus assuring that it could only fit that machine. Second, it was difficult to keep the pusher blade level which caused uneven wear on cutting edges, moldboards and side panels. Third, the rigid linkage between plow and machine commonly led to the front tires of the machine being lifted off the ground, reducing traction and, ultimately, the ability to move snow.

Arctic founder Randy Strait developed a patented slip hitch bracket and slide rail combination to replace the welded one-piece mount design, allowing the pusher to be used on different machines. At the same time, he modified standard mounting plates and couplers to allow his pushers to self-level for instant “drop and go”, allowing beginner operators to plow like experts. With the Slip Hitch, the pusher floats on the front of the machine, keeping all four tires on the pavement at all times, maximizing traction. Also, since the pusher rests naturally on the ground, the machine’s horsepower is not unnecessarily wasted on carrying the weight of the pusher or the weight of the snow. Nor is it spent on digging the pusher into the ground. Instead, it is used on what it was intended to do in the first place, driving forward. The result is a dramatic improvement in the machine’s efficiency, allowing the same size machine to operate a wider pusher if desired.



SECTIONAL SNO-PUSHER™

OPERATIONAL PROCEDURES

SAFETY PRECAUTIONS & WARNINGS

Read and understand this Owner's Manual before installing, operating, or making adjustments to the Sectional Sno-Pusher™. Improper installation and operation could cause personal injury (to operator and bystanders) and/or equipment and property damage.

GENERAL

ALWAYS be sure to keep hands, feet, hair, and clothing away from pinch points/moving parts.

ALWAYS keep the pusher on the ground when parked or not in use.

ALWAYS inspect your pusher for wear and damage before operating.

NEVER get between the bucket/coupler of the machine and the pusher while attaching the unit.

NEVER place any part of your body under the pusher.

NEVER use the Sectional Sno-Pusher™ for ANY purpose other than plowing snow. Doing so could result in serious injury or death. It will also void your warranty.

NEVER alter the pusher in any way.

DURING OPERATION

ALWAYS operate the pusher at the recommended speed.

NEVER stand or sit on the pusher while it's in operation.

NEVER stand in front of a pusher while machine is in operation.

MAINTENANCE / SERVICING

ALWAYS use Arctic OEM replacement parts.

ALWAYS take a few minutes to properly secure your pusher using jack stands to ensure safety during maintenance/service.

NEVER attempt to service this pusher, unless you know how to do it safely and have the proper tools for the job.

NEVER service or otherwise handle a pusher in the raised position unless it is securely blocked against unexpected falling.

NEVER rely solely upon the hydraulics of your machine to secure the pusher during maintenance/service.

NEVER get under the unit during maintenance procedures without properly securing the pusher.


PROPER MACHINE TO USE WITH YOUR SECTIONAL

CD COMPACT DUTY

MODEL	MINIMUM HORSEPOWER	MINIMUM LIFT CAPACITY
CD-6.5	35	1,200 lbs
CD-8.5	45	1,750 lbs

Recommended for:


 Compact Skid Steers

 Skid Steers

LD LIGHT DUTY

MODEL	MINIMUM HORSEPOWER	MINIMUM LIFT CAPACITY
LD-8	50	1,750 lbs
LD-10.5	70	2,000 lbs
LD-13	80	2,400 lbs
LD-15.5	80	2,950 lbs

Recommended for:

 Skid Steers

 Track Loaders

 Tractors

 Backhoes

 Compact Wheel Loaders

HD HEAVY DUTY

MODEL	MINIMUM MACHINE CLASS
HD-11	1.5 YD
HD-14	2 YD
HD-17	2.5 YD
HD-19.5	3 YD
HD-22	4.5 YD
HD-27.5	5 YD

Recommended for:

 Wheel Loaders

BEFORE EACH USE

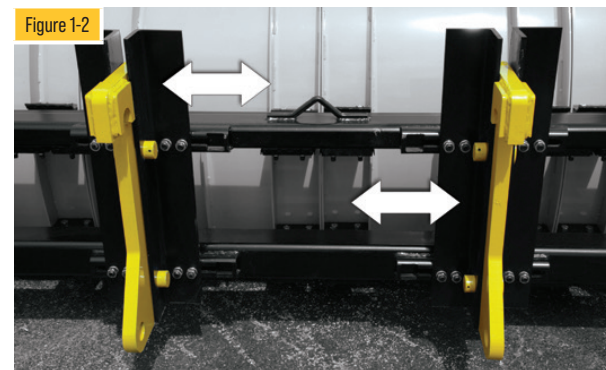
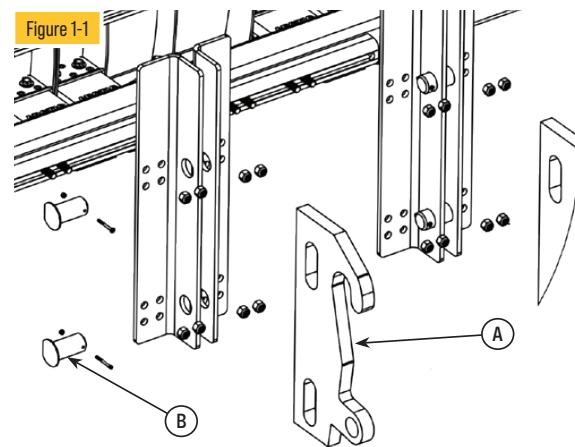
- Check all loose fittings and tighten.
- Check all cutting blades. Viewed from the back, 1.5" must be visible. Otherwise, replace immediately or risk damage to pusher.
- Check for broken springs. If broken, must be replaced immediately by a qualified mechanic before operation.
- Check Polyblocks. Look for damage that signals imminent failure, such as cracks, tears, or missing chunks. If damage exists, be sure to replace immediately if possible, or before next storm at the latest

Note: All sizing recommendations are subject to your machine's age and condition. You should always check with your dealer or an Arctic rep when determining the model that will best suit your machine.

FITTING COUPLER HOOKS TO YOUR MACHINE (HD MODELS ONLY)

Note: CD and LD models do not require any adjustments to the slip-hitch/slide rail.

1. Identify and select make and model of coupling hook that mates with your machine. (Consult machine mfr's owners manual)
2. Install hooks (A) using four 2" diameter pins (B) and secure with 1/4-20 x 2.5in. hex head bolts and 1/4- 20 nylon lock nuts. [See Figure 1-1]
3. Adjust horizontal slide bars [See Figure 1-2]: Measuring from center, loosen the vertical angle iron bolts (B on each side) and slide angle iron left or right to obtain proper boom width of your machine. After ensuring that 3/4 -10 nuts are threaded perfectly and angle irons are vertically square, tighten nuts secure to 160 ft lbs torque.



ATTACHING THE PUSHER TO YOUR MACHINE

1. Look over machine and pusher and make sure nothing looks out of order (bolts missing, bent metal, ice chucks, frozen pins, etc)
2. Disengage quick connector locking mechanism.
3. Align machine with pusher and mate coupler with pusher.
4. Engage locking pins
5. Visually confirm that locking pins are fully and securely engaged.
6. Begin operation.

IMPORTANT TIPS TO USE WHEN OPERATING SECTIONAL PUSHERS AND PLOWS

The Arctic Sectional Sno-Pusher™ is rated the number one pusher/plow on the market for efficiency, ease of operation, and cost savings. However, for individuals who are used to operating a more traditional pusher, there may be some habits that need to be broken, and so a certain learning curve is involved in order to utilize this pusher properly.

First, many of the adjustments and operating steps that experienced operators of traditional pushers need to employ (down pressure, tilting, use of float switch, pile driving) to get non-Arctic traditional pushers to work are not only unnecessary but actually counter-productive when operating the Arctic. Those old techniques not only waste the operators time and attention, but also severely limit the efficiency of both pusher and machine as well as lead to premature wear and tear of both pusher and machine. That is why we say, “Let the Arctic Sectional do the work!” It will automatically make the necessary adjustments and operate at peak performance.

By following these few simple steps below, you will enjoy the full benefits of the Arctic Sectional for many years to come and join the legions of loyal snow contractors who claim this was the best investment they ever made. You will also dramatically reduce/eliminate premature wear and tear, enjoy greatly extended longevity of the plow’s and machine’s parts, reduce your salt use, and create less property damage for your customer.

Please note that almost all premature wear of the polyblocks, cutting edges, wear shoes, and springs can usually be attributed to a failure to follow one or more of the simple operating tips listed below.

1. **Instructional Video:** It is extremely important and highly recommended that all first time Sectional users as well as veteran operators watch the instructional video, which can be found by going to arcticsnowproducts.com/support or scanning the code on the right. The short instructional video will explain and illustrate the operational tips listed below and more.
2. **Understand the key difference between an Arctic Sectional and a standard pusher:** Operators using standard pushers will often tilt the plow forward or back and continuously run it that way to get a better angle of attack for scraping. Not only does this accelerate the wear of cutting edges and shoes, but no matter how much down pressure you apply or how much you angle the plow,



it cannot get past the highest spot on the pavement, and therefore cannot get under the ice and hardpack. The Arctic Sectional’s moldboards and cutting edges act like a contour gauge to conform to the pavement variations, getting underneath to shear ice and hardpack from the pavement in nearly all cases without any operator adjustments. The moldboards also have a more pronounced curve than most other pushers and plows, which not only automatically gives it an optimal attack angle for scraping, but also allows it to roll snow more effectively.

3. **Encountering a particularly rough patch of ice:** Although the Arctic will generally get under ice and hardpack with ease, there may occasionally be that require a little more effort. In that case, the Arctic is unique in its ability to provide thousands of pounds of variable down pressure directly to the cutting edges to cut through solid ice, by angling the moldboards slightly forward and thus flexing the polyblocks. However, just remember to relax the moldboards once you have cleared the patch so as not to wear out the cutting edges. See page 22 for details on the technique.
4. **Allow the Sectional to free-float:** Do not apply down pressure. Instead, allow the Sectional’s patented Slip-Hitch™ Universal Coupler System its full range of motion. This will keep all four of the machine’s tires on the ground and the Slip-Hitch™ will allow the Arctic Sectional to automatically self-level to the pavement and carry its own weight. Please see the instructional video for an understanding and illustration of the free-floating range of motion of the Slip-Hitch™.
5. **Turn the machine’s “float-switch” off:** If your machine is equipped with a float mechanism, make sure you turn it off when using an Arctic Sectional Sno-Pusher™. A machine’s float mechanism causes the boom arms to move up and down in relation to the pavement. However, this action continually lifts and lowers the pusher/plow, which interferes with the Sectional’s Slip-Hitch™. The arms are then continuously alternating between forcing the plow down harder against the pavement (causing unwanted down pressure) and lifting the plow up off the ground. To prevent this, turn off the machine’s float and let the Slip-Hitch™ do the work.
6. **Stack snow properly:** The Arctic Sectional will stack snow as high or higher than any other pusher in the market. However, it is not designed to be used as a bulldozer blade. You should never “slam” an Arctic Sectional into a stack pile. Again, please see the instructional video for an understanding and illustration stacking snow properly.

PLOWING CONSIDERATIONS

1. Before you begin, it's important to make sure your equipment and pusher are both set for proper operation.
2. If your equipment offers a float option, disable this option when operating the Sectional Sno-Pusher™. The float option will detract from proper operation of the pusher.
3. The Sectional Sno-Pusher™ features drop and go technology for quick and efficient plowing. This on-the-go, automatic adjustment of the pusher is a result of the patented slip hitch design which enables the pusher to move up or down independently from the carrier. To maximize the slip hitch effectiveness, set the pusher in the neutral or middle position.
4. Once an operator gets a feel for the range of motion of the slip hitch, they'll be able to easily drop the pusher and go. To become familiar with that range, simply set the pusher on the ground and move the arms of the machine without lifting the pusher off the ground.
5. When you're on site, you'll have a feel for the movement of the slip hitch and you'll be able to quickly recognize the proper angle of the pusher with simple visual guides integrated in the design. Take note of the triangular holes at the top of the side panels. These holes are the reference for proper pusher angle. When you drop the pusher to begin work, the moldboard sections should be behind the holes blocking their view from the operator's platform – ensuring proper alignment of the pusher. It's a quick and simple check ensuring optimum performance of the pusher every time.
6. Proper positioning is also critical to the pusher's longevity. If the pusher is curled or tilted too much, undue pressure is placed on the bottom row of polyurethane mounting blocks, accelerating wear. Improper positioning can also inhibit efficient operation of the independent moldboard sections, reducing effectiveness and preventing proper tripping when encountering obstacles.

PROPER WAY TO STACK SNOW

In the snow removal business, the ability to stack snow is critical. But, there is a right and a wrong way to tackle the stacking job. The biggest mistake made when stacking snow is thinking of the pusher as a bulldozer.

Since it is not a solid piece of steel like a dozer or traditional box plow, but rather a unique, sectional design, the Sectional Sno-Pusher™ requires a different approach.

1. To properly stack with the pusher, lift the pusher at the same rate of speed that the machine is engaging the snow pile.
2. Begin lifting as soon as initial contact occurs on the outside edges. If you fail to lift at the same rate of advance, you will notice each section being forced back towards the frame in rapid succession. This causes premature wear on the blocks and moldboard sections. In addition, waiting to lift the pusher until you've already engaged the snow pile with the main portion of the blade causes tremendous down pressure on the polyurethane blocks. This can lead to significant damage.
3. While going up with the pusher, it is suggested to slightly tilt the pusher up (towards the sky) to maximize driving force of the machine and to maximize the height of the snow pile, if necessary.
4. To minimize left over snow attached to the pusher from falling off and creating a mess on the pavement, liberally tilt the pusher up and down above or next to the snow pile to remove stuck snow on the frame of the pusher.

SCRAPING HARDPACK AND ICE

The Sectional Sno-Pusher™ is the only pusher on the market that gives you the ability to aggressively tackle more demanding snow removal jobs. The ability to roll the pusher forward offers the aggressive force needed to tackle the most difficult hardpack snow and ice. By rolling the pusher forward slightly, operators can effortlessly get under hardpack snow and ice and clear it away – straight down to the pavement surface. In doing so, Arctic's Sectional Sno-Pusher™ significantly reduces salt usage.

1. Start by leveling the pusher out with the pavement.
2. Then tilt the pusher down towards the ground to create down force on the pusher. This allows the pusher to scrape harder. Do not add too much down force to the pusher as it will lift the front end of the machine too much and the front tires will lose contact with the ground.
3. Use the triangle shaped guides on the top of the side panels. These guides cannot be seen from the machine's cab when the moldboards are relaxed and in their normal operating angle, but will become more exposed to the operator, the further they tilt the moldboards. Please see the instructional video for an understanding and illustration of the triangle cutout guides.
4. When you are done with the patch of ice in question, it is recommended that you bring the pusher back to the neutral position ("relax the moldboards"). In the neutral position, the Arctic can clear most hardpack snow and ice and is, of course, its optimal position for overall performance. Adding the variable down pressure to the edges is certainly recommended where needed, but continual use will cause excessive wear to the cutting edges and other components.

Note: Please understand that doing this process will indeed increase the wear and tear of the cutting edges and other components.

SECTIONAL SNO-PUSHER™

MAINTENANCE & REPAIR

READYING THE PUSHER FOR THE SEASON

Check and replace any broken springs, worn cutting edges, polyblocks with tears, cracks or missing chunks, and any frozen or missing connectors. Be sure to have replacement cutting edges and polyblocks on hand in the event of accidents or operator abuse.

Check all fasteners to make sure nothing is loose including those attached to the angle iron (*HD models*) on the slip hitch mounts.

Determine whether cutting edges should be replaced by checking the backside of edges, not front, to ensure that nothing is wearing into the mounting plate of the trip edge. If the height of blade showing is 1.5 inches or less, the blade should be replaced as soon as possible to ensure maximum performance from the pusher as well as to prevent more serious damage to the pusher.

CLEANING, STORING & MAINTAINING THE PUSHER IN THE OFFSEASON



HIGHLY RECOMMENDED: Replace parts at the end of the season rather than at the beginning of a new season as parts demand is especially high at the beginning of a new season.

Replace broken springs, cut or partially cracked or torn polyblocks, cutting edges with less than 1.5" of remaining wear, worn or rusted fasteners, and any other parts that are hindering the normal operation of the pusher. Clean and dry all surfaces. With a penetrating oil such as Fluid Film™ or WD-40™, spray down all cutting edges, springs, and any sliding or actuating points on the side panel.

Finally, be sure to order emergency replacement parts for the next year. It is recommended that you have on hand a minimum of two spare polyblocks for each pusher in your fleet in case of an accident or operator error.

REPLACING CUTTING EDGES

REQUIRED TOOLS

-  Impact wrench
(Highly Recommended)
-  Standard 15/16" Impact Swivel
Socket (Regular or Deepwell)

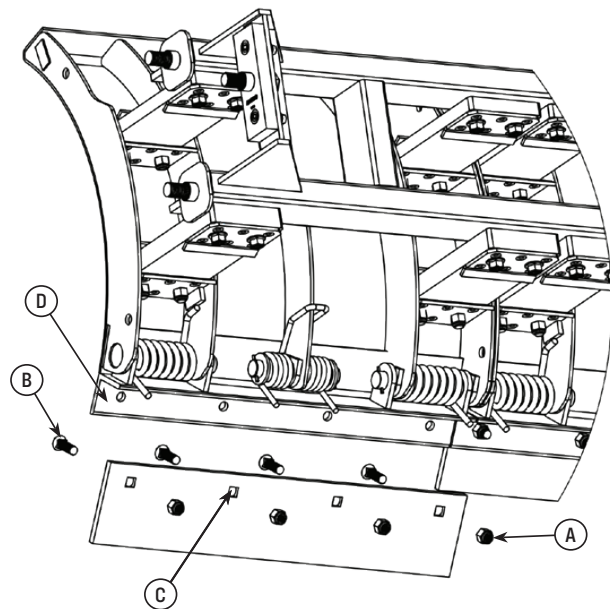
1. Remove nuts (A) and bolts (B) to detach old cutting edge. Frozen nuts may be removed with torch if necessary.

 **Note:** We recommend replacing all fasteners. Use 5/8-11 plow bolt with nylon lock nut.

2. Place bolts into recessed holes (C) on the new cutting edge, then through trip edge mount (D) and start nylon lock nut. Be sure to hold the bolts flush against the cutting edge when tightening nut on back side until secure.

 **Note:** Top of bolt must be completely flush against the face of the cutting blade.

Depending on buyer preferences, a variety of specialized and extreme duty cutting edges are available. Contact your dealer or Arctic sales representative in your area for more information.




REPLACING POLYBLOCKS

REQUIRED TOOLS

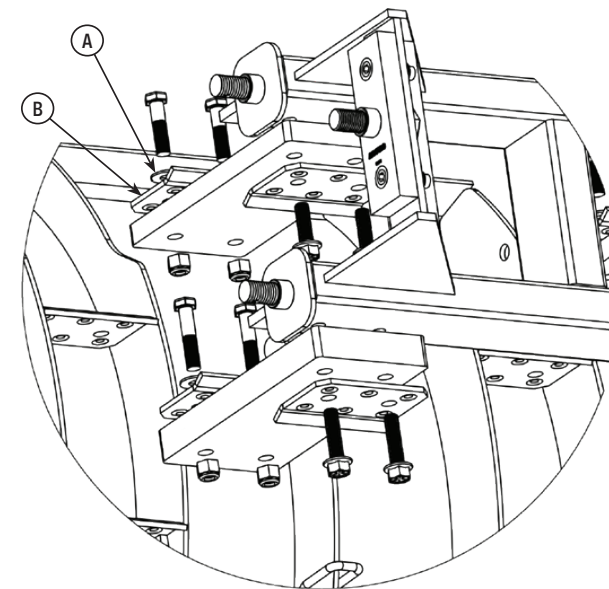
-  Impact wrench
(Highly Recommended)
-  Standard 15/16" Impact Swivel
Socket (Regular or Deepwell)

1. Remove nuts and bolts to free the polyblock being replaced.
2. Attach the new polyblock to moldboard first using hex bolt, flat washer (A) and poly block washer (B), just starting the nuts to hold in place (do not fully tighten)
3. Secure opposite end of the polyblock on mainframe using flange bolts and poly block washer, then tighten down all fasteners with 100 ft lbs. (lbf-ft) torque.

 **Note:** The top and bottom polyblocks differ in thickness. Make sure the thinner polyblock goes on the top and the thicker one on the bottom.

Depending on user preferences and operator training, moldboard limiters and heavier duty polyblocks are available for LD and HD series Sectional pushers. See your dealer or contact the Arctic Sales representative in your area for more information.

Please report any Arctic dealer that is selling or suggesting the use of aftermarket parts.



REPLACING POLYBLOCKS (CONTINUED)

SPECIAL NOTE REGARDING CHANGES IN BOTTOM POLYBLOCKS

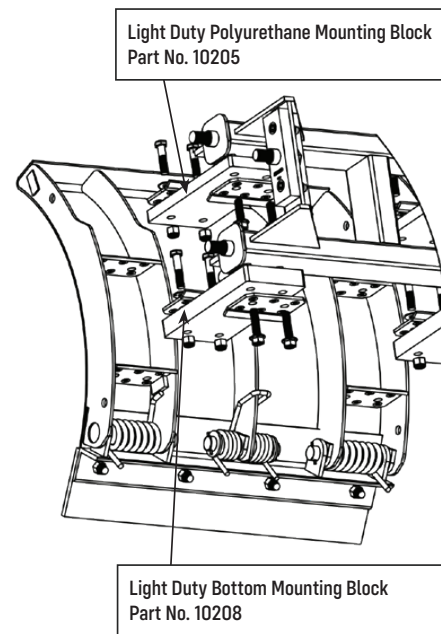
Although the poly blocks have significant longevity, they do wear over time and can prematurely break under extreme conditions or misuse. The blocks that receive the most pressure/abuse, and therefore tend to break more often, are those on the bottom row.

FOR LD MODEL PUSHERS

The 10205 (1" thick) Light Duty Polyurethane Mounting Block is the standard polyblock for Light Duty pushers. Up until 2015, it was standard on both top and bottom polyblock rows. However, in late 2015 all LD pushers over 8' long were fitted with thicker blocks **on the bottom row only**, to provide better durability and longevity. These new 10208 (1.5" thick) LD Bottom Mounting Blocks are simply a thicker version of the standard 1" blocks.

If you have an older model pusher (prior to 2015), you may retrofit the larger blocks using the same hardware and fittings you already have, without the need for longer bolts. Remember, they may only be used on the bottom row. The top row must still use the standard 1" thick blocks. Of course, any serviceable standard (1" thick) blocks taken off the bottom row may be set aside for replacement of any blocks on the top row that wear or break in the future.

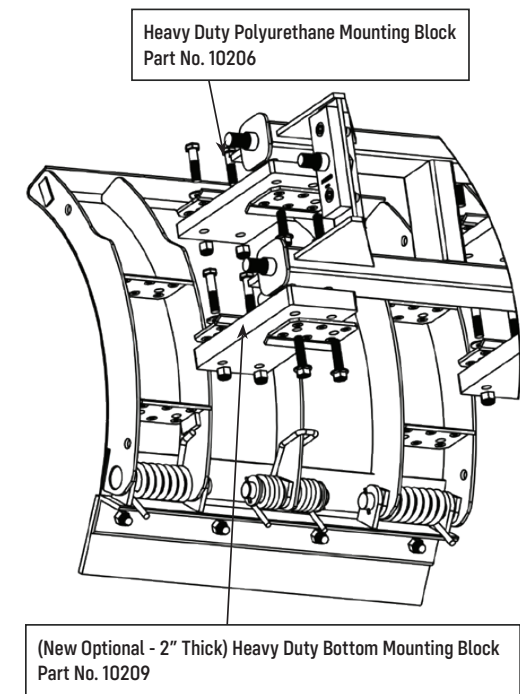
The CD (Compact Duty) pushers, as well as the LD 8' pusher, still use the standard 10205 LD poly blocks on both the top and bottom rows.



FOR HD MODEL PUSHERS

The 10206 Heavy Duty Polyurethane Mounting Block is the standard poly block for Heavy Duty pushers. This standard block is 1.5" thick and is currently standard on both the top and bottom poly block rows for all HD pushers. However, although the 10206 (1.5" thick) blocks will remain standard on all 2019 production HD Sectional pushers & plows this year, as of late September 2018, thicker (2") HD Bottom Poly Blocks - 10209 are now available as an optional-upgrade part for retrofit on the bottom row of Poly Blocks on HD pushers and plows. The new 10209 Heavy Duty Bottom Mounting Blocks are simply a thicker version of the standard 1.5" HD blocks and provide better durability and longevity. However, these thicker blocks are only designed to be used on the bottom row and only on Heavy Duty pushers, as shown in the illustration to the right.

No different hardware or fittings are required to install the thicker blocks in place of the standard blocks. But again, they would only be installed on the bottom row, and you would need to replace the whole row if you are switching over. Those serviceable standard blocks taken off the bottom row, can then be set aside for replacement of any on the top row that wear or break in the future.




REPLACING WEAR SHOES

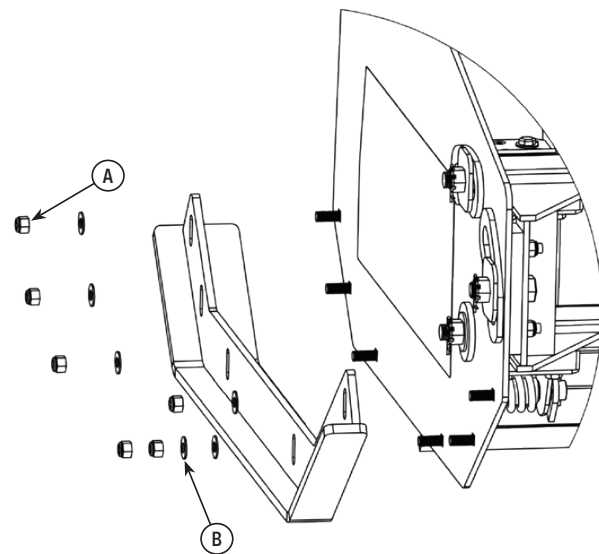
REQUIRED TOOLS

-  Impact wrench
(Highly Recommended)
-  Standard 15/16" Impact Swivel Socket
(Regular or Deepwell)

 **Note:** Wear shoe must be in a hanging position off the ground in order to proceed. Fasteners need not be replaced unless thread condition warrants it.

1. If pusher is on a machine, elevate a few inches to take pressure off mounting points. If pusher is on the ground, jacks placed under the frame will be necessary to elevate the pusher a few inches off the ground to take all weight off of the shoe.
2. Remove all nuts (A) and washers (B) which attach the shoe to the side panel. (6 on CD and LD models, 7 on HD models)
3. Remove old wear shoe.
4. Replace with new wear shoe and tighten fasteners with 100 ft lbs. (lb-ft) torque.

 **Note:** If replacing bolts, use 5/8-11 x 2 carriage bolts, Grade 8, zinc plated.



REPLACING TRIP EDGE SPRINGS

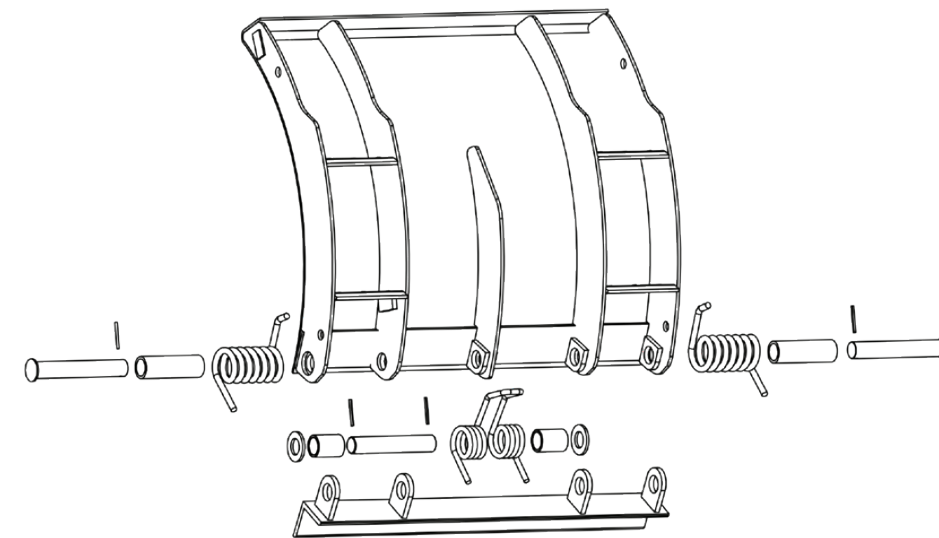
REQUIRED TOOLS

-  Call manufacturer for instructions

WARNING:

POTENTIALLY DANGEROUS ACTIVITY

These are high torsion springs and any attempt to replace them can easily lead to injury. Call Manufacturer for any questions. This is to be performed by a qualified mechanic only.

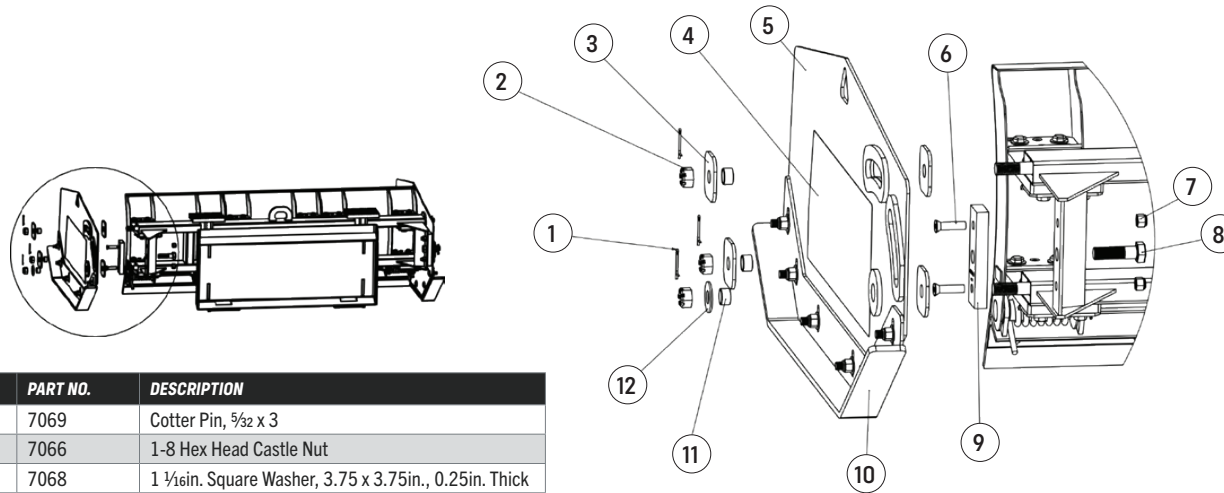


COMPACT DUTY — LIGHT DUTY — HEAVY DUTY

SECTIONAL SNO-PUSHER™

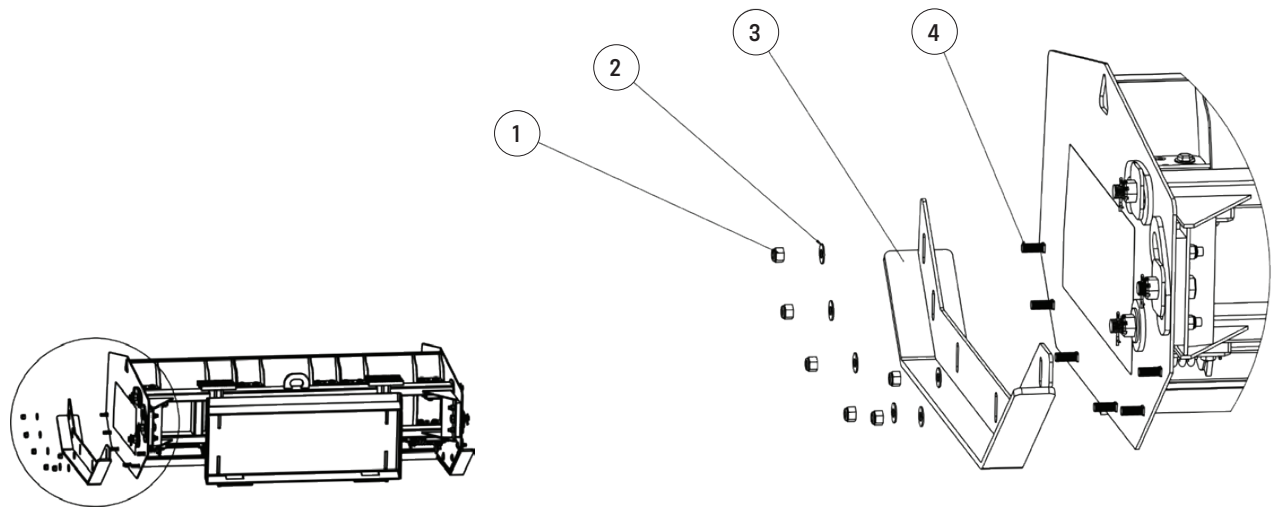
ASSEMBLY & PARTS

COMPACT DUTY: LEFT SIDE PANEL



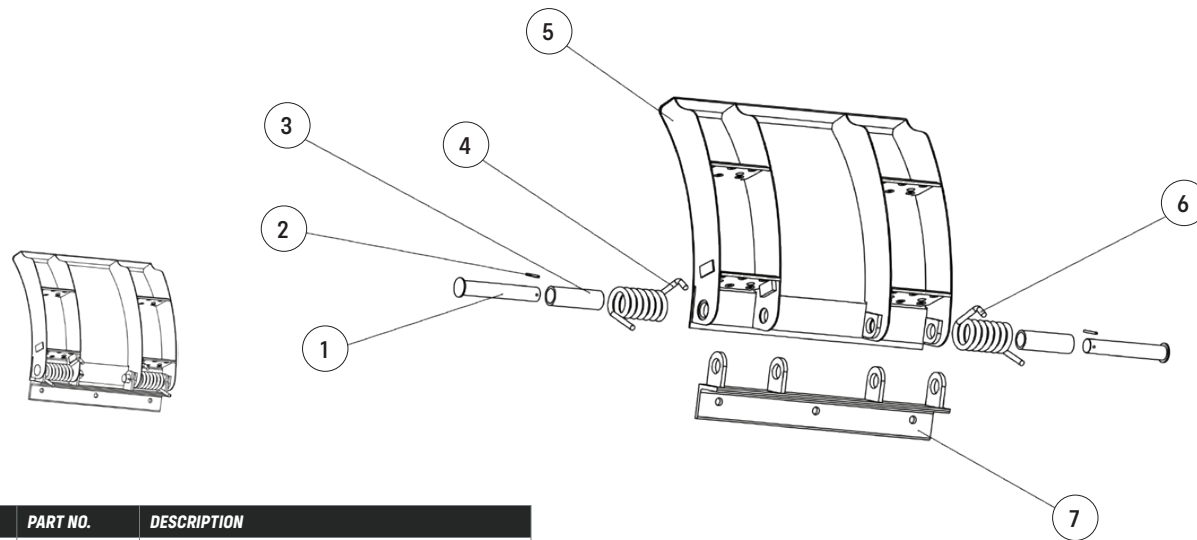
ITEM	PART NO.	DESCRIPTION
1	7069	Cotter Pin, 5/32 x 3
2	7066	1-8 Hex Head Castle Nut
3	7068	1 1/16in. Square Washer, 3.75 x 3.75in., 0.25in. Thick
4	Decal	CD Side Panel Decal - Arctic 2020
5	7167	CD Side Panel, Left
6	7074	5/8-11 x 2.5in. Flat Socket Head Bolt
7	7061	5/8-11in. Nylon Lock Nut
8	7065	1-8 x 3.5in. Hex Head Bolt
9	10204	LD Side Panel Poly Washer
10	7165	CD Shoe, Left
11	7022	1 1/16 x 1 5/16in. Bushing, 0.75in. Long
12	7067	1 x 2.5in. Flat Washer

COMPACT DUTY: **LEFT WEAR SHOE**



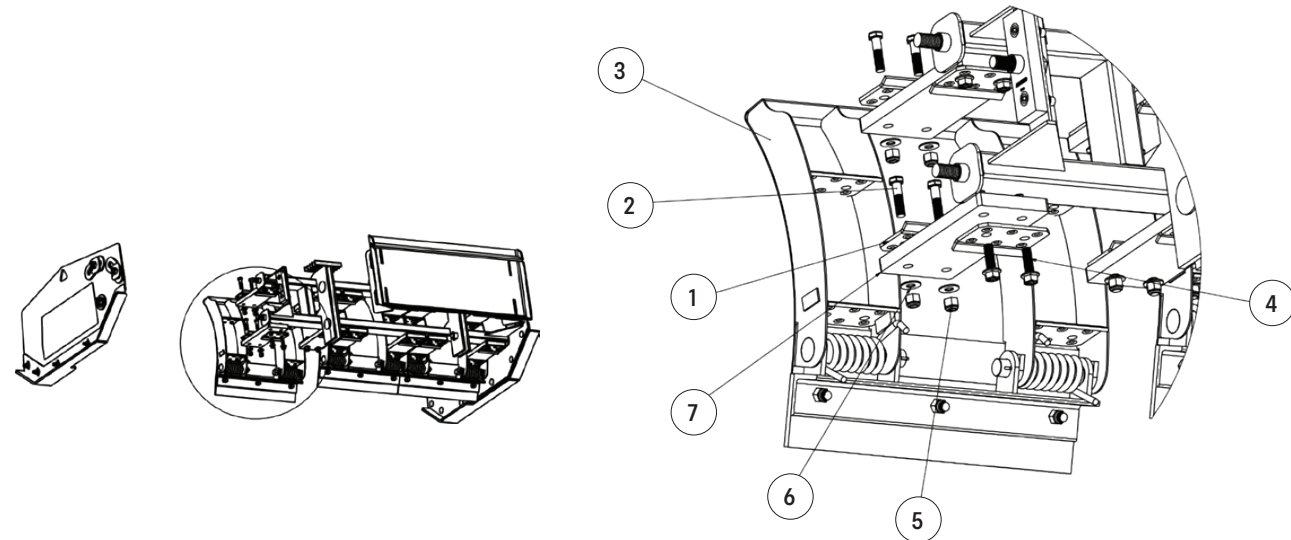
ITEM	PART NO.	DESCRIPTION
1	7061	5/8-11in. Nylon Lock Nut
2	7091	5/8 x 1 7/16in. Flat Washer
3	7165	CD Shoe, Left
4	7064	5/8-11 x 2in. Round Head Carriage Bolt

COMPACT DUTY: **MOLDBOARD**



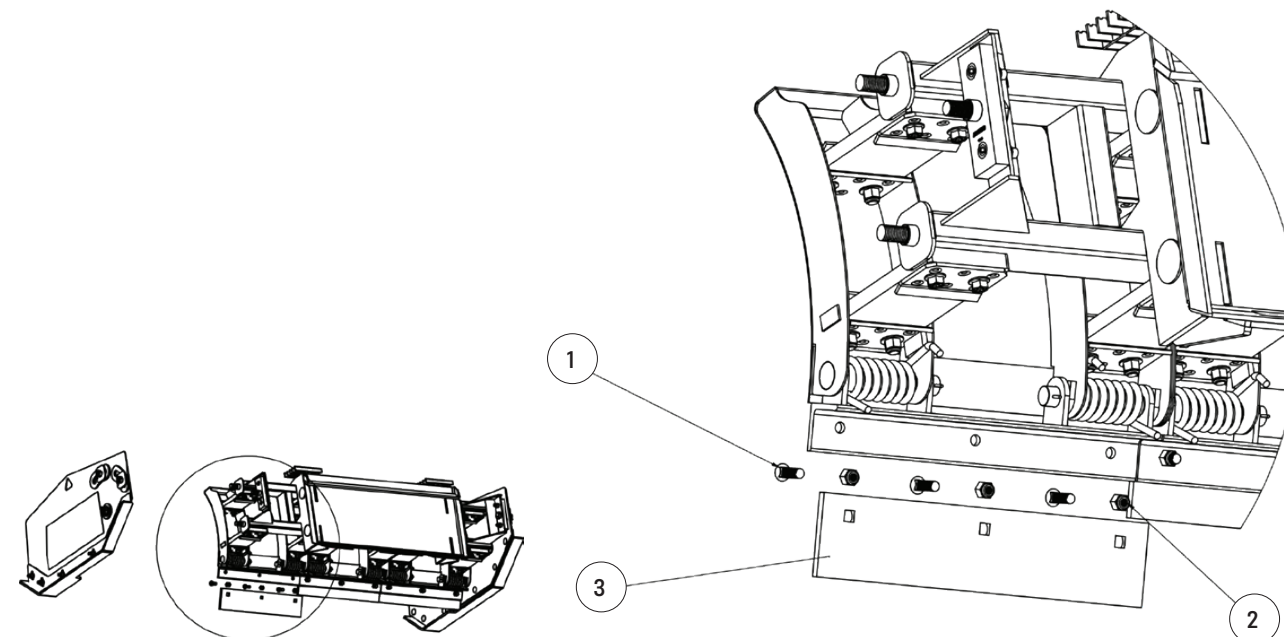
ITEM	PART NO.	DESCRIPTION
1	7038	Outer Trip Edge Pin
2	7078	3/16 x 2in. Roll Pin
3	7073	Outer Edge Pin Sleeve
4	7112	Left Moldboard Torsion Spring
5	7153	Compact Duty Moldboard Weldment – 24in. Wide
6	7117	Right Moldboard Torsion Spring
7	7156	Compact Duty Trip Edge Weldment – 24in. Wide

COMPACT DUTY: **MOLDBOARD TO FRAME**



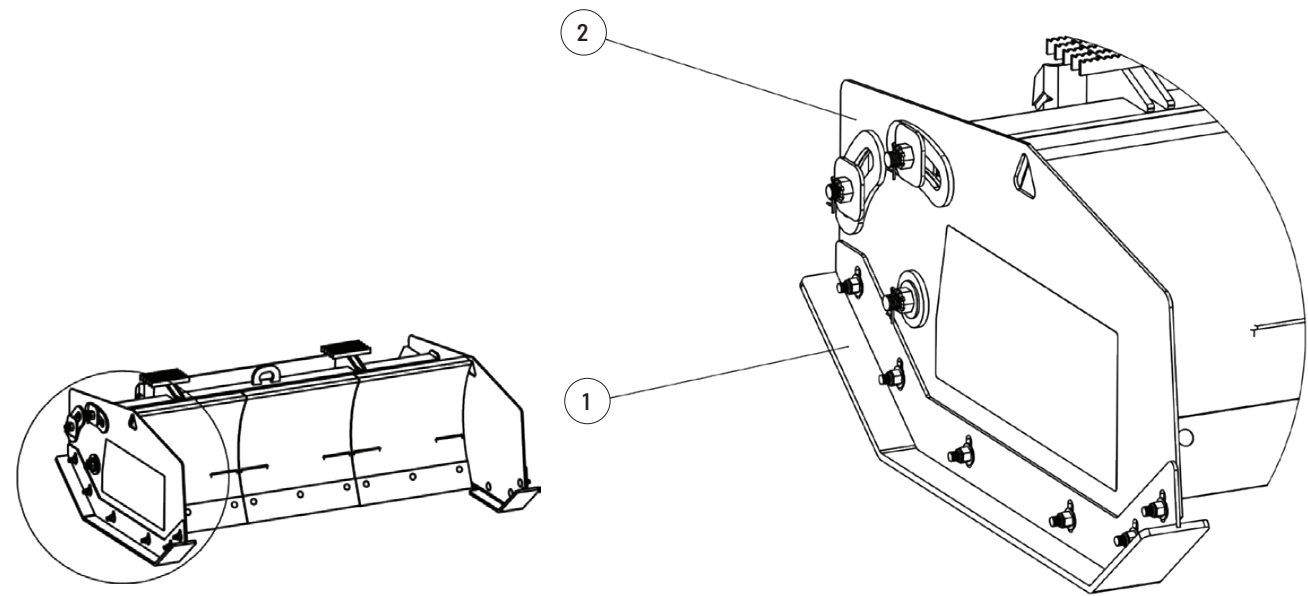
ITEM	PART NO.	DESCRIPTION
1	7006	Poly Block Washer
2	7062	5/8-11 x 2.5in. Hex Head Bolt
3	7157	Compact Duty Moldboard
4	7063-F	5/8-11 x 2in. Hex Head Flange Bolt
5	7061	5/8-11in. Nylon Lock Nut
6	7091	5/8 x 1 7/16in. Flat Washer
7	10205	LD Polyurethane Block, 1in. Thick

COMPACT DUTY: **CUTTING EDGE TO MOLDBOARD**



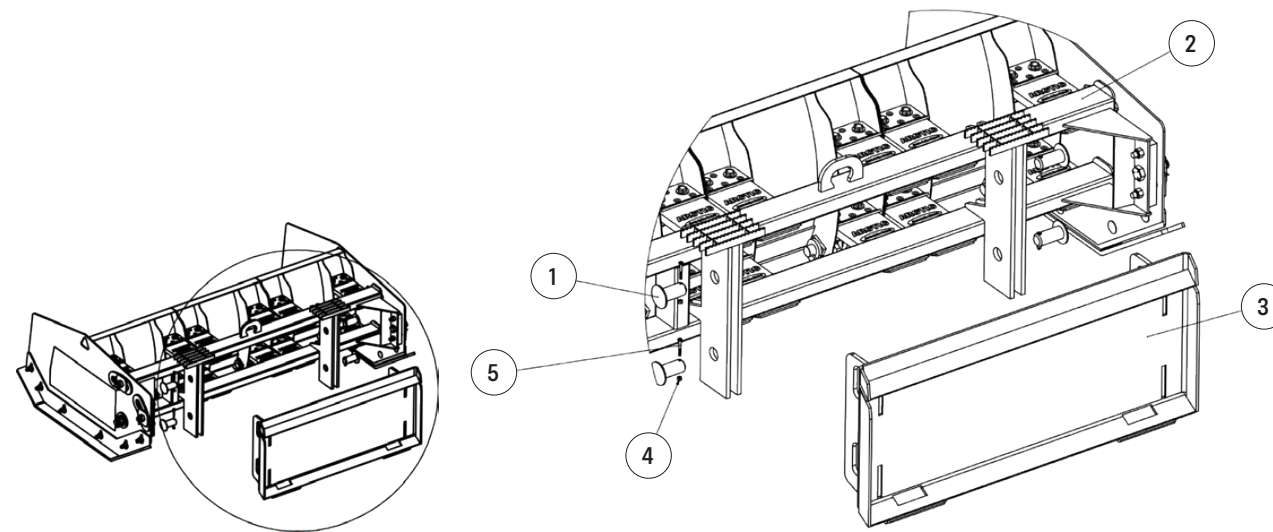
ITEM	PART NO.	DESCRIPTION
1	7063	5/8-11 x 2in. Plow Bolt
2	7061	5/8-11in. Nylon Lock Nut
3	34241	Compact Duty Cutting Edge, 24 x 6in.

COMPACT DUTY: **RIGHT SIDE PANEL AND SHOE**

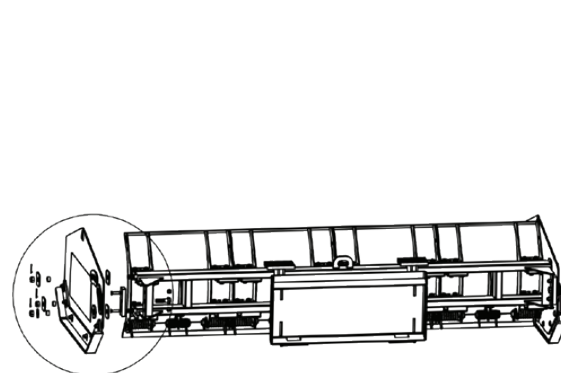


ITEM	PART NO.	DESCRIPTION
1	7166	CD Side Panel, Right
2	7168	CD Shoe, Right

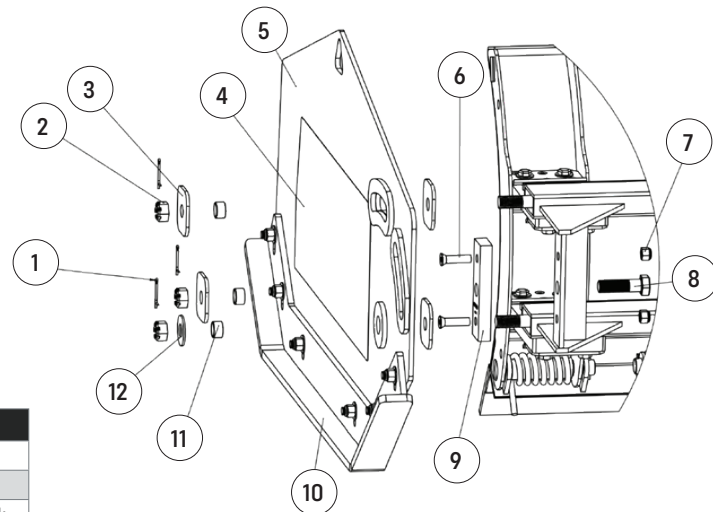
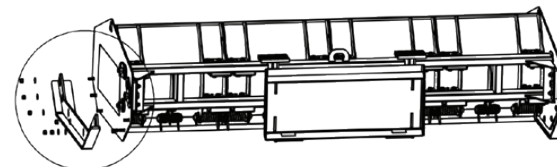
COMPACT DUTY: **SKID STEER SLIP-HITCH PLATE**



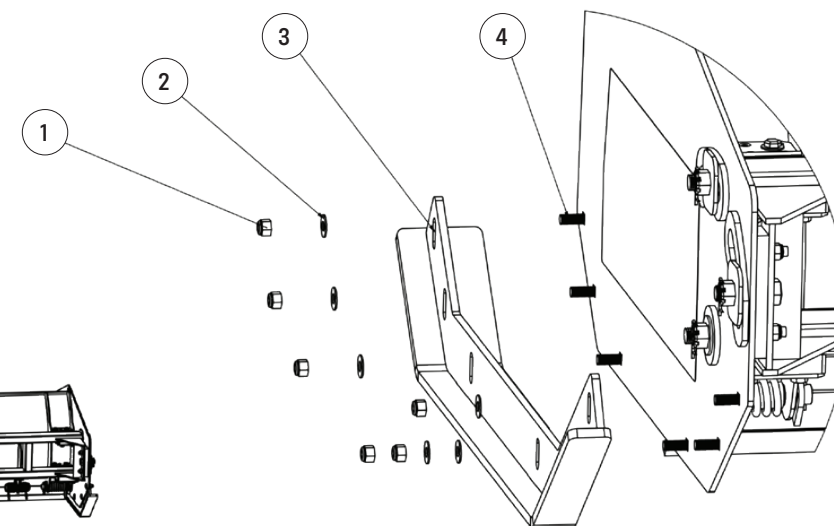
ITEM	PART NO.	DESCRIPTION
1	7092	LD Slip-Hitch Pin
2	CD Frame	CD Frame Drilled and Tapped (Size Specific)
3	7072	LD Slip-Hitch Skid Steer Plate or Coupler (Optional)
4	7096	¼-20 Nylon Lock Hex Nut
5	7097	¼-20 x 2in. Hex Head Bolt

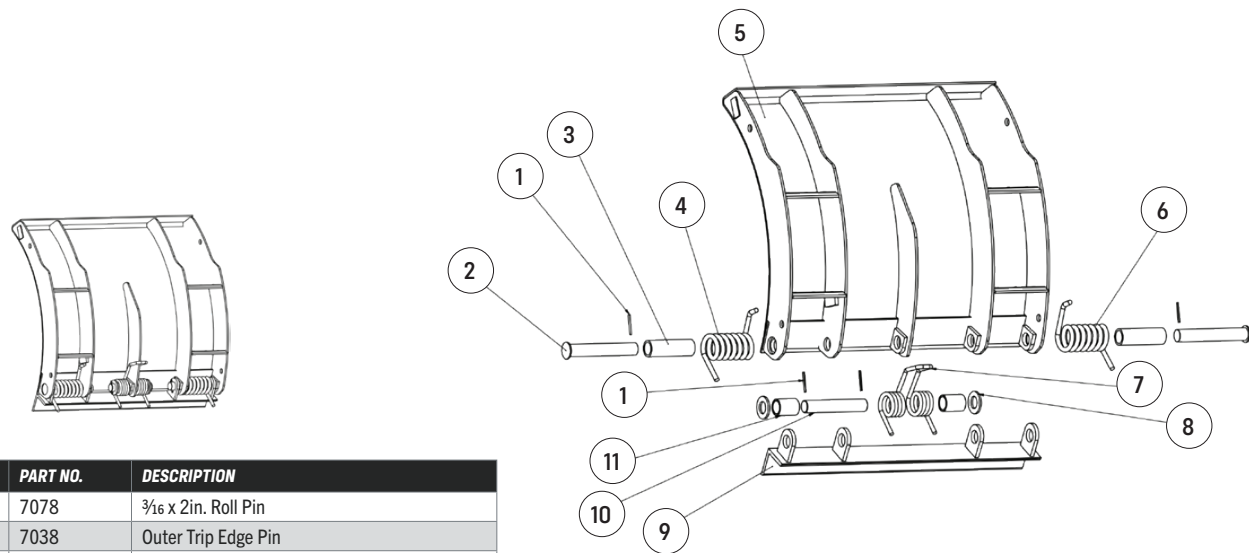
LIGHT DUTY: **LEFT SIDE PANEL**

ITEM	PART NO.	DESCRIPTION
1	7069	Cotter Pin, 5/32 x 3
2	7066	1-8 Hex Head Castle Nut
3	7068	1 1/16in. Square Washer, 3.75 x 3.75in., 0.25in. Thick
4	Decal	LD Side Panel Decal - Arctic 2020
5	7025	LD Side Panel, Left
6	7074	5/8-11 x 2.5in. Flat Socket Head Bolt
7	7061	5/8-11in. Nylon Lock Nut
8	7065	1-8 x 3.5in. Hex Head Bolt
9	10204	LD Side Panel Poly Washer
10	7035	LD Shoe, Left
11	7022	1 1/16 x 1 5/16in. Bushing, 0.75in. Long
12	7067	1 x 2.5in. Flat Washer

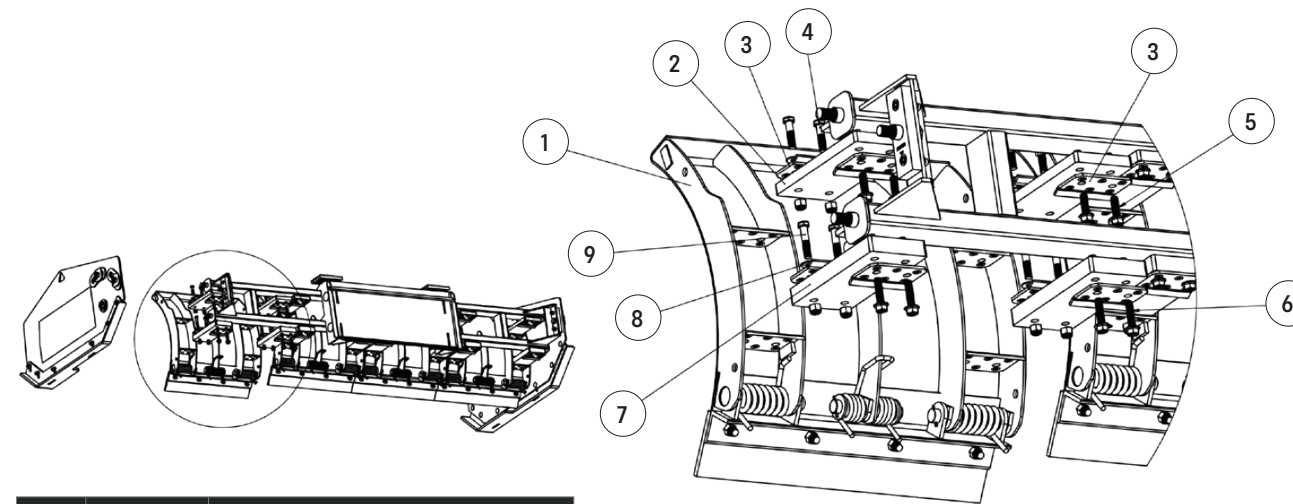
LIGHT DUTY: **LEFT WEAR SHOE**

ITEM	PART NO.	DESCRIPTION
1	7061	5/8-11in. Nylon Lock Nut
2	7091	5/8 x 1 7/16in. Flat Washer
3	7035	LD Shoe, Left
4	7064	5/8-11 x 2in. Round Head Carriage Bolt

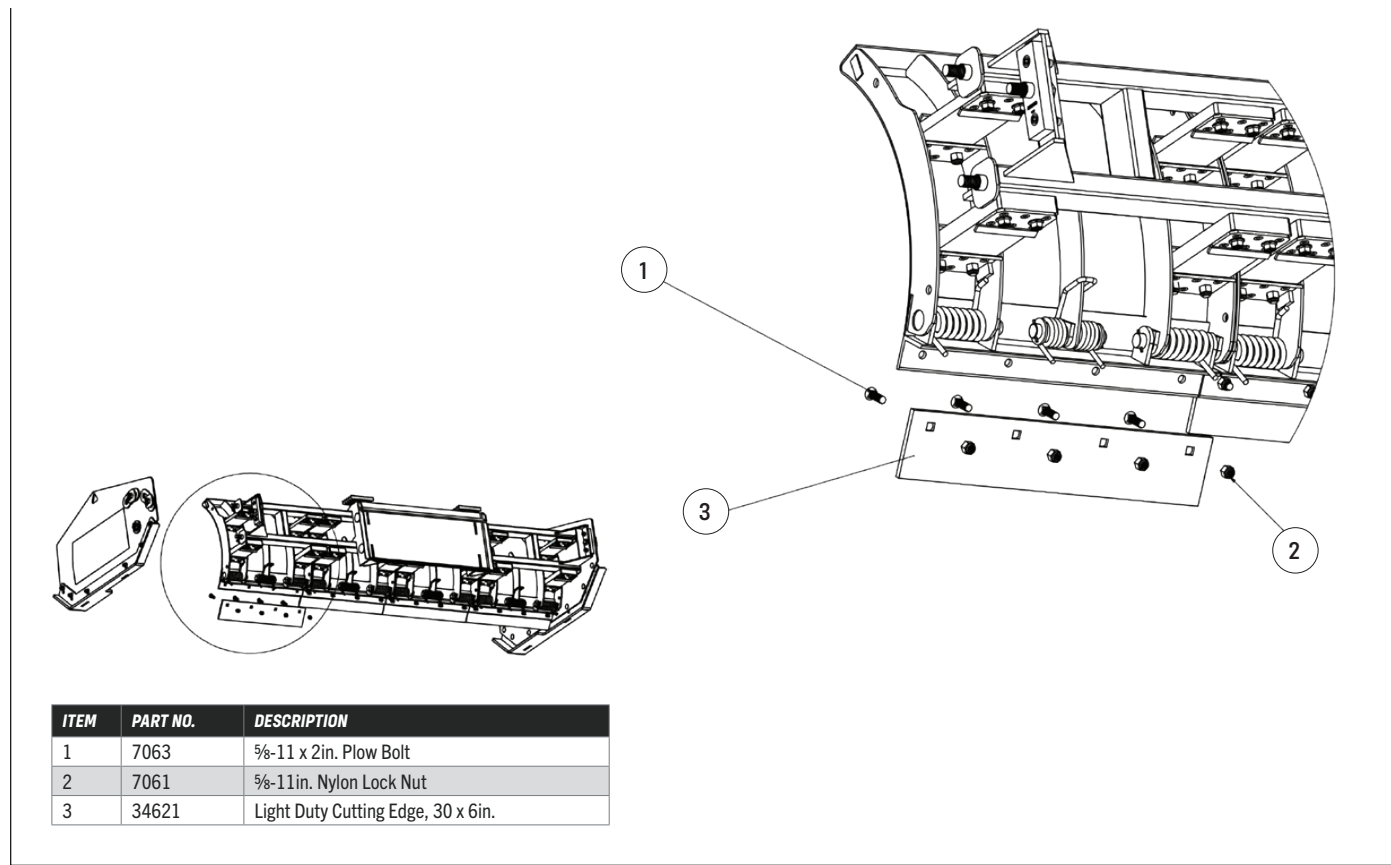
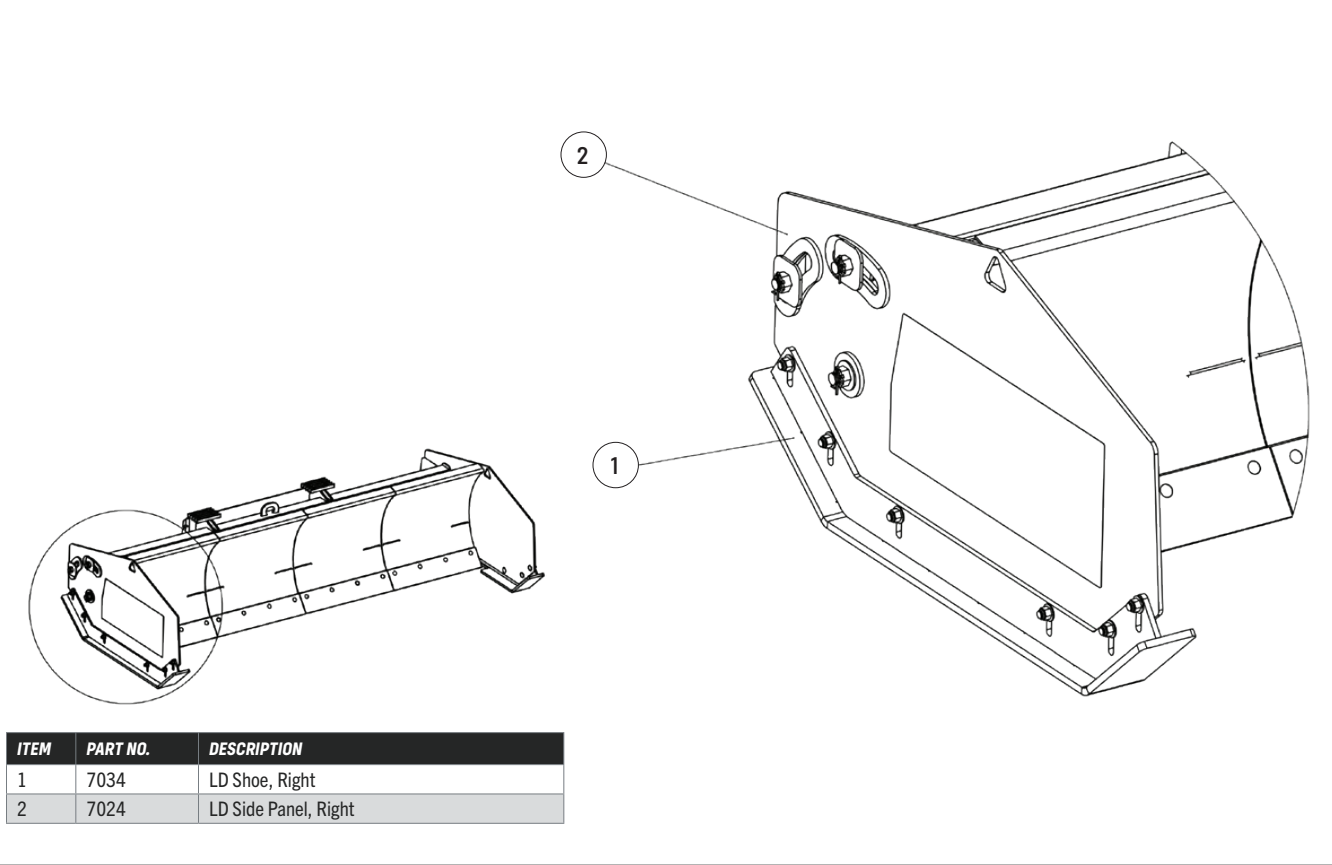


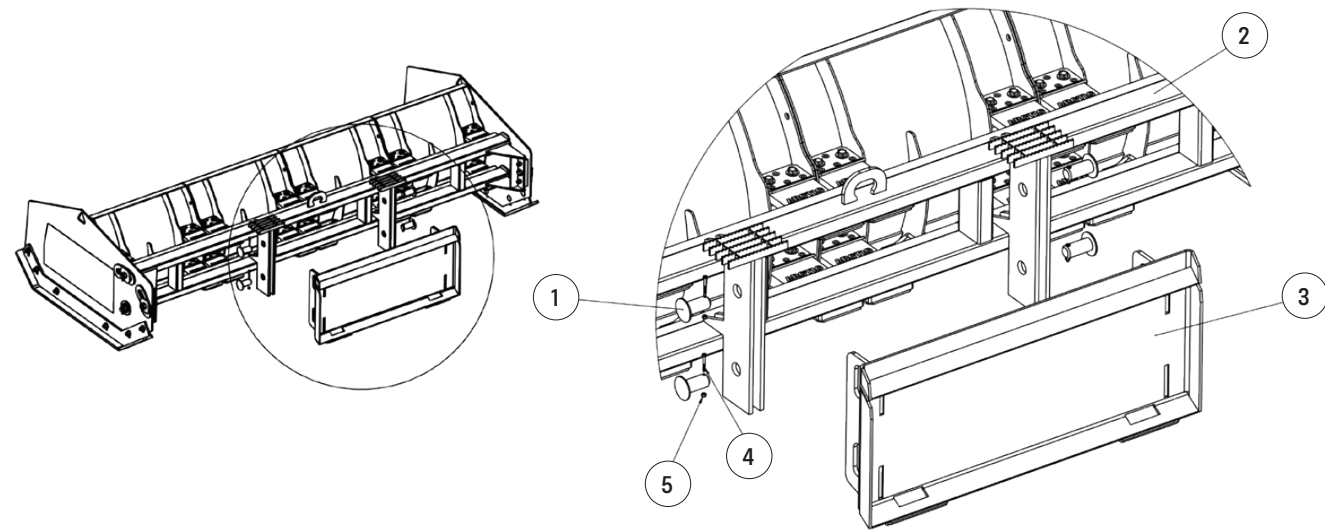
LIGHT DUTY: **MOLDBOARD**

ITEM	PART NO.	DESCRIPTION
1	7078	3/16 x 2in. Roll Pin
2	7038	Outer Trip Edge Pin
3	7073	Outer Trip Edge Pin Sleeve
4	7112	Left Torsion Spring
5	7021	Light Duty Moldboard Weldment - 30in. Wide
6	7117	Right Torsion Spring
7	7113	Center Torsion Spring
8	7081	1.25 x 2.25in. Flat Washer
9	7011	Light Duty Trip Edge Weldment - 30in. Wide
10	7119	Center Trip Edge Pin
11	7037	Center Trip Edge Pin Sleeve

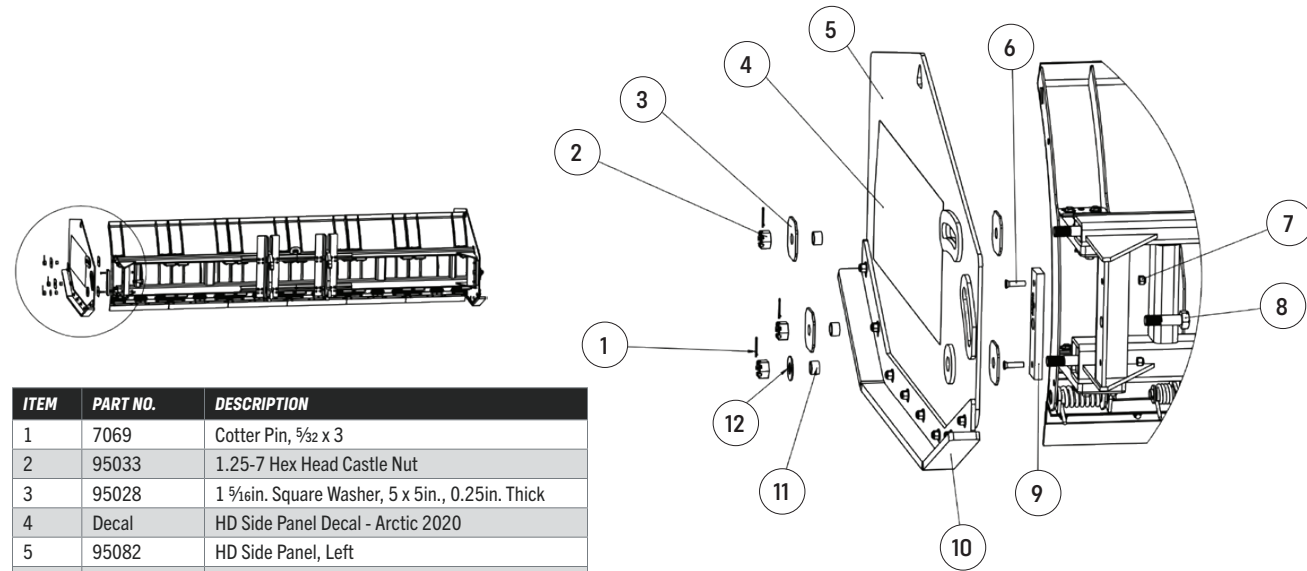
LIGHT DUTY: **MOLDBOARD TO FRAME**

ITEM	PART NO.	DESCRIPTION
1	7135	Light Duty Moldboard
2	10205	LD Polyurethane Block, 1in. Thick
3	7006	Poly Block Washer
4	7062	5/8-11 x 2.5in. Hex Head Bolt
5	7063-F	5/8-11 x 2in. Hex Head Flange Bolt
6	7062-F	5/8-11 x 2.5in. Hex Head Flange Bolt
7	10208	LD Polyurethane Block, 1.5in. Thick
8	7091	5/8 x 1 1/2in. Flat Washer
9	95069	5/8-11 x 3in. Hex Head Bolt

LIGHT DUTY: **CUTTING EDGE TO MOLDBOARD**LIGHT DUTY: **RIGHT SIDE PANEL AND SHOE**

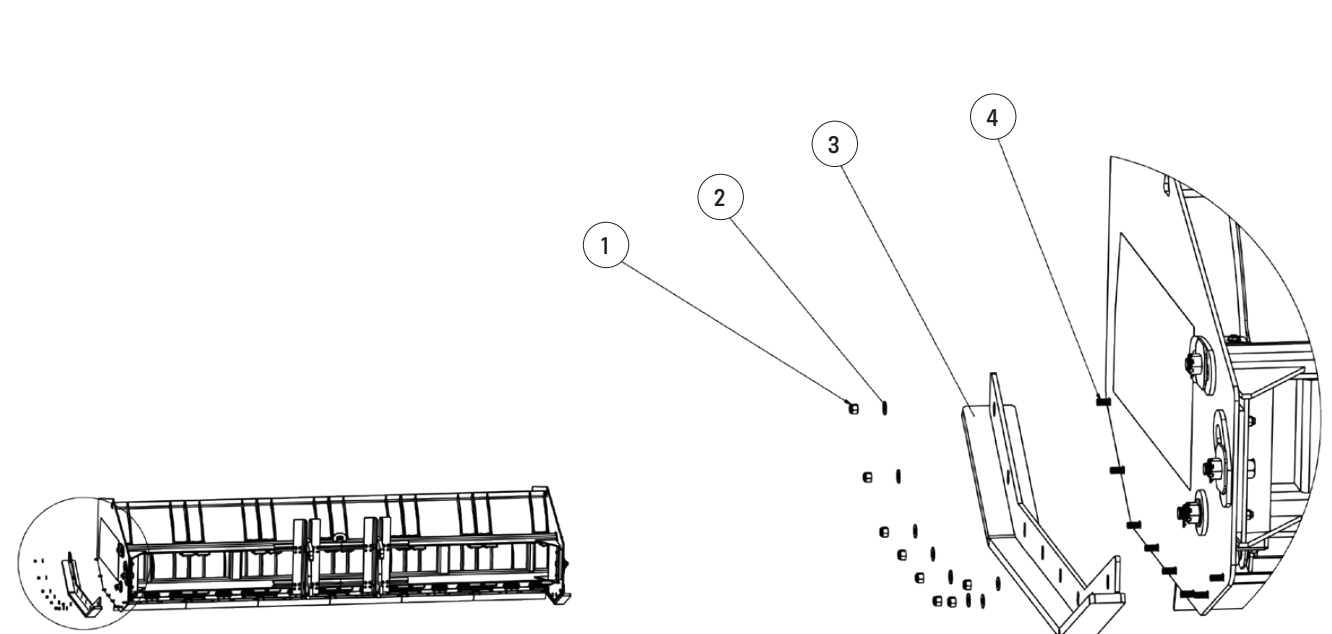
LIGHT DUTY: **SKID STEER SLIP-HITCH PLATE**

ITEM	PART NO.	DESCRIPTION
1	7092	LD Slip-Hitch Pin
2	LD Frame	LD Frame Drilled and Tapped (Size Specific)
3	7072	LD Slip-Hitch Skid Steer Plate or Coupler (Optional)
4	7097	1/4-20 x 2in. Hex Head Bolt
5	7096	1/4-20 Nylon Lock Hex Nut

HEAVY DUTY: **LEFT SIDE PANEL**

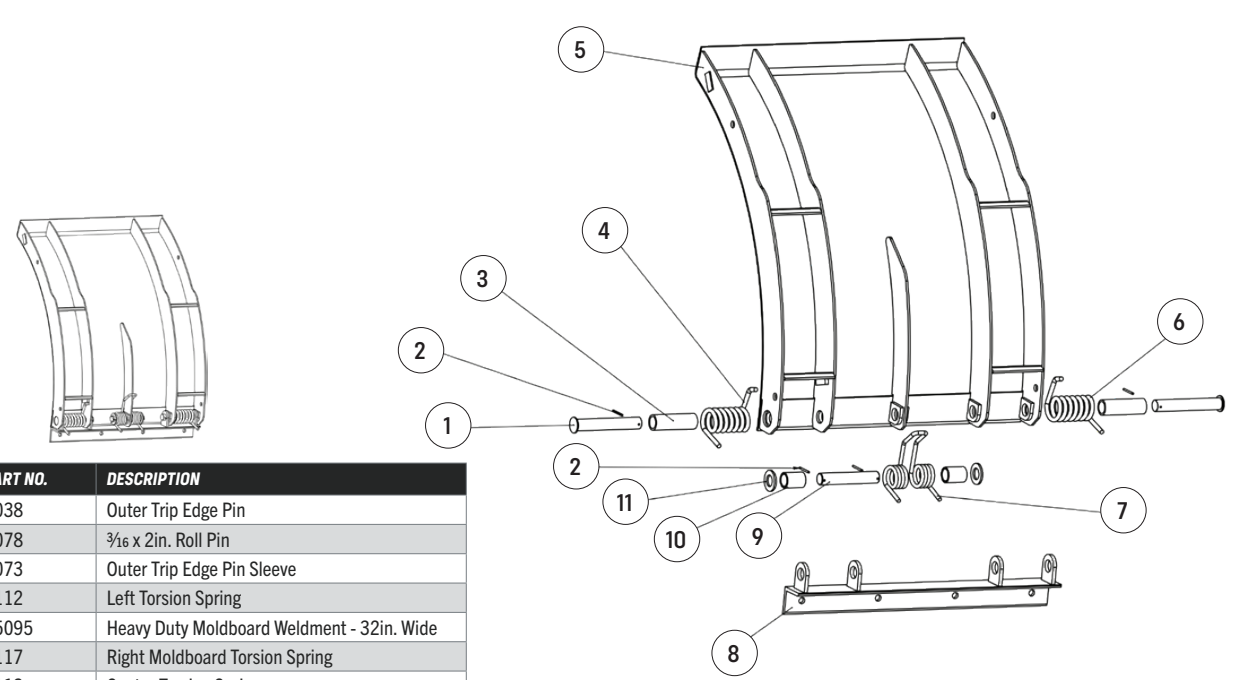
ITEM	PART NO.	DESCRIPTION
1	7069	Cotter Pin, 5/32 x 3
2	95033	1.25-7 Hex Head Castle Nut
3	95028	1 5/16in. Square Washer, 5 x 5in., 0.25in. Thick
4	Decal	HD Side Panel Decal - Arctic 2020
5	95082	HD Side Panel, Left
6	7074	5/8-11 x 2.5in. Flat Socket Head Bolt
7	7061	5/8-11in. Nylon Lock Nut
8	95034	1.25-7x4.5in. Hex Head Bolt
9	10207	HD Side Panel Poly Washer
10	95081	HD Shoe, Left
11	95037	1 1/4 x 1 5/8in. Bushing, 1in. Long
12	95041	1 3/8 x 3in. Flat Washer

HEAVY DUTY: **LEFT WEAR SHOE**



ITEM	PART NO.	DESCRIPTION
1	7061	5/8-11in. Nylon Lock Nut
2	7091	5/8 x 1 7/16in. Flat Washer
3	95081	HD Shoe, Left
4	7064	5/8-11 x 2in. Round Head Carriage Bolt

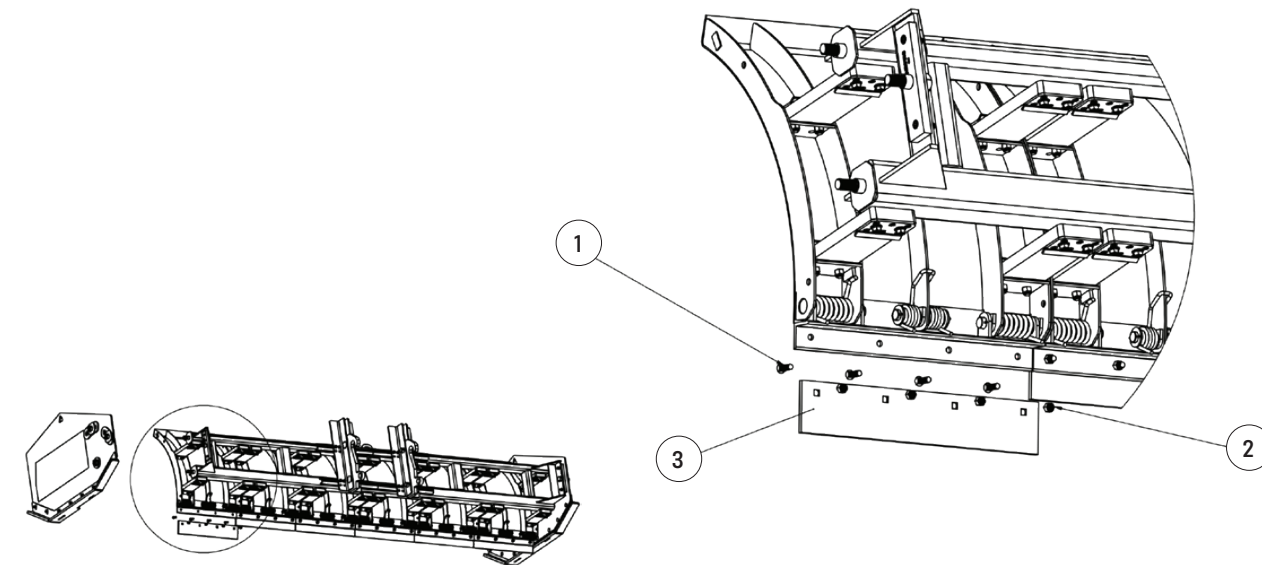
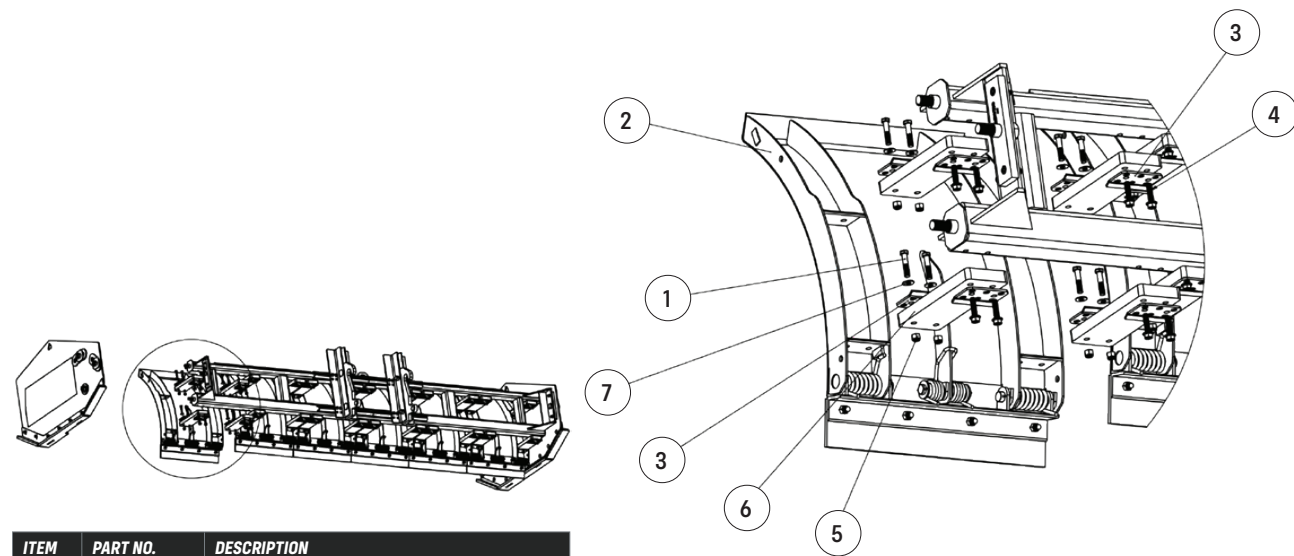
HEAVY DUTY: **MOLDBOARD**



ITEM	PART NO.	DESCRIPTION
1	7038	Outer Trip Edge Pin
2	7078	3/16 x 2in. Roll Pin
3	7073	Outer Trip Edge Pin Sleeve
4	7112	Left Torsion Spring
5	95095	Heavy Duty Moldboard Weldment - 32in. Wide
6	7117	Right Moldboard Torsion Spring
7	7113	Center Torsion Spring
8	95031	Heavy Duty Trip Edge Weldment - 32in. Wide
9	7119	Center Trip Edge Pin
10	7037	Center Trip Edge Pin Sleeve
11	7081	1.25 x 2.25in. Flat Washer

HEAVY DUTY: **MOLDBOARD TO FRAME**

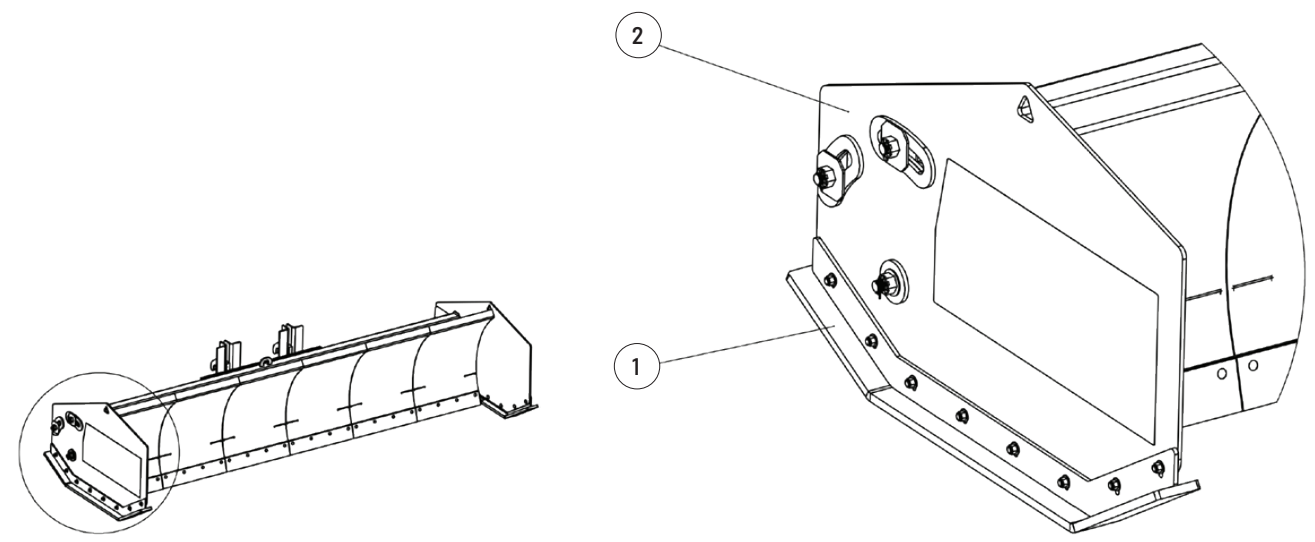
HEAVY DUTY: **CUTTING EDGE TO MOLDBOARD**



ITEM	PART NO.	DESCRIPTION
1	95069	5/8-11 x 3in. Hex Head Bolt
2	95105	Heavy Duty Moldboard
3	7006	Poly Block Washer
4	7062-F	5/8-11 x 2.5in. Hex Head Flange Bolt
5	7061	5/8-11in. Nylon Lock Nut
6	10206	HD Polyurethane Block, 1.5in. Thick
7	7091	5/8 x 1 7/16in. Flat Washer

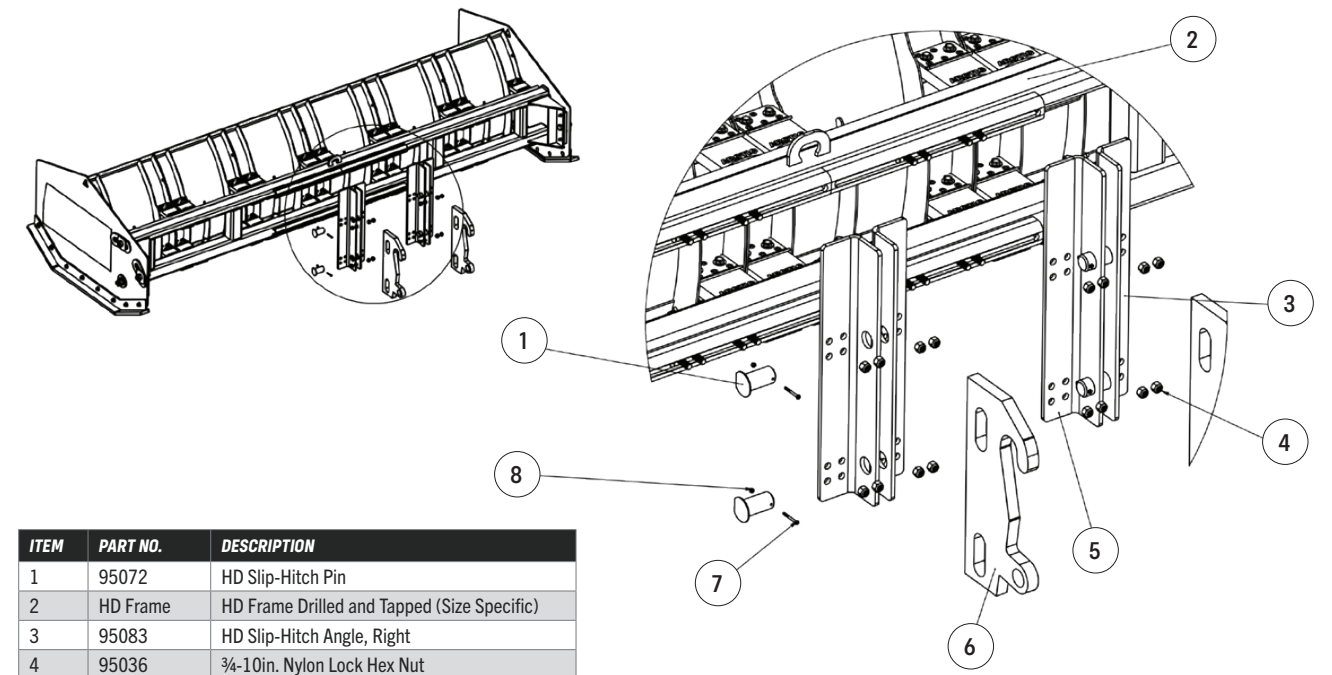
ITEM	PART NO.	DESCRIPTION
1	7063	5/8-11 x 2in. Plow Bolt
2	7061	5/8-11in. Nylon Lock Nut
3	34500	Heavy Duty Cutting Edge, 32 x 6in.

HEAVY DUTY: **RIGHT SIDE PANEL AND SHOE**



ITEM	PART NO.	DESCRIPTION
1	95020	HD Shoe, Right
2	95050	HD Side Panel, Right

HEAVY DUTY: **SLIP-HITCH ANGLES**



ITEM	PART NO.	DESCRIPTION
1	95072	HD Slip-Hitch Pin
2	HD Frame	HD Frame Drilled and Tapped (Size Specific)
3	95083	HD Slip-Hitch Angle, Right
4	95036	3/4-10in. Nylon Lock Hex Nut
5	95086	HD Slip-Hitch Angle, Left
6	Coupler	Coupler (Machine Specific)
7	95047	1/4-20 x 2.5in. Hex Head Bolt
8	7096	1/4-20 Nylon Lock Hex Nut

COMPACT DUTY PARTS

PART NO.	DESCRIPTION
7006	1/4" Plate Polyblock Washer
7022	1-5/8" OD End Panel Slot Bushing
7037	Center Pin Sleeve
7038	Extended Outer Pin
7043	Polyblock Mounting Diamond Plate Weldment
7044	CD/LD Main Frame Insert Plate
7045	CD/LD Frame Insert Weldment
7055	9/16 USS Flat Washer
7061	5/8-11 Nylon Lock Nut
7061-Thin	5/8-11 Thin Nylon Lock Nut (Bottom LD Poly Nut)
7062	5/8-11 x 2.50 Lg. Hex Hd. Bolt
7063	5/8-11 x 2.00 Plow Bolt
7064	5/8-11 x 2.00 Round Hd. Carriage Bolt
7065	1.0-8 x 3.50 Hex Hd. Cap Screw
7066	1.0-8 Slotted Hex Nut
7067	1" Flat Washer
7068	4" Square Washer w/1-1/16" Dia. Hole
7069	5/32 x 2.00 Cotter Pin
7073	Outer Pin Sleeve
7074	5/8"-11 x 2-1/2" FSH Cap Screw
7078	Roll Pin
7081	Center Pin Washer
7092	CD/LD Mounting Pin
7096	0.25-20 Nylon Hex Nut
7097	0.25-20 x 2.00 Lg. Hex Bolt
7112	Left Torsion Spring
7113	Center Torsion Spring
7117	Right Torsion Spring
7119	Extended Center Spring Pin
7156	Compact Duty Trip Edge Assembly

PART NO.	DESCRIPTION
7157	Compact Duty Mold Board
7157-complete	Compact Duty Moldboard Assembly- Complete
7165	Compact Duty Left Wear Shoe
7165-P	Compact Duty Polyurethane Right Wear Shoe
7166	Compact Duty Right Wear Shoe
7166-P	Compact Duty Polyurethane Left Wear Shoe
7167	Compact Duty Left Side Panel (without Decal)
7167-D	Compact Duty Left Side Panel w/ Decal
7168	Compact Duty Right Side Panel (without Decal)
7168-D	Compact Duty Right Side Panel w/ Decal
10204	Polyurethane Side Panel Spacer
10205	CD/LD Duty Polyurethane Mounting Block
10231	CD/LD Moldboard Limiter
10232	Moldboard Limiter Polyurethane End Block
34241	Compact Duty Cutting Edge (reg. 1/2 x 6 x 24)
34241-P	Compact Duty Polyurethane Cutting Edges
Limiter Assy	Moldboard Limiter Assembly (Installation Per Section)
CDSPPDecals	Compact Duty Side Panel Decals (per side)

LIGHT DUTY PARTS

PART NO.	DESCRIPTION
7006	1/4" Plate Polyblock Washer
7011	30.0 Trip Edge Assembly
7021	Light Duty Mold Board
7022	1-5/8" OD End Panel Slot Bushing
7024	Light Duty Right Side Panel (without Decal)
7024-D	Light Duty Right Side Panel w/ Decal
7025	Light Duty Left Side Panel (without Decal)
7025-D	Light Duty Left Side Panel w/ Decal

LIGHT DUTY PARTS

PART NO.	DESCRIPTION
7034	Light-Duty Right Wear Shoe
7034-P	Light-Duty Polyurethane Right Wear Shoe
7035	Light-Duty Left Wear Shoe
7035-P	Light-Duty Polyurethane Left Wear Shoe
7037	Center Pin Sleeve
7038	Extended Outer Pin
7043	Polyblock Mounting Diamond Plate Weldment
7044	Light Duty Main Frame Insert Plate
7045	CD/LD Frame Insert Weldment
7055	9/16 USS Flat Washer
7061	5/8-11 Nylon Lock Nut
7061-Thin	5/8-11 Thin Nylon Lock Nut (Bottom LD Poly Nut)
7062	5/8-11 x 2.50 Lg. Hex Hd. Bolt
7062-F	5/8-11 x 2.50 Hex Head Flange Bolt
7063	5/8-11 x 2.00 Plow Bolt
7063-F	5/8-11 x 2.00 Hex Head Flange Bolt+A:E
7064	5/8-11 x 2.00 Round Hd. Carriage Bolt
7065	1.0-8 x 3.50 Hex Hd. Cap Screw
7066	1.0-8 Slotted Hex Nut
7067	1" Flat Washer
7068	4" Square Washer w/1-1/16" Dia. Hole
7069	5/32 x 2.00 Cotter Pin
7073	Outer Pin Sleeve
7074	5/8"-11 x 2-1/2" FSH Cap Screw
7078	Roll Pin
7081	Center Pin Washer
7084	8' Light Duty Frame
7085	10.5' Light Duty Frame
7086	13' Light Duty Frame
7087	15.5' Light Duty Frame

PART NO.	DESCRIPTION
7092	Light Duty Mounting Pin
7096	0.25-20 Nylon Hex Nut
7097	0.25-20 x 2.00 Lg. Hex Bolt
7112	Left Torsion Spring
7113	Center Torsion Spring
7117	Right Torsion Spring
7119	Extended Center Spring Pin
7135	LD Moldboard Assembly- Complete
7630	Moldboard Limiter Frame Bolt: 1/2 - 13 x 3 Hex Head Cap Screw (2 per limiter)
7631	Moldboard Limiter Frame Nut: 1/2 - 13 Nylon Lock Nut (2 per limiter)
7632	Moldboard Limiter Frame Washer: 7/16 USS Flat Washer (4 per limiter)
7633	Moldboard Limiter End Block Screw: 3/8 - 16 x 1.50 Thread Cutter
10204	Polyurethane Side Panel Spacer
10205	Light Duty Polyurethane Mounting Block
10208	Light Duty Bottom Mounting Block
10231	Light Duty Moldboard Limiter
10232	Moldboard Limiter Polyurethane End Block
14621	Light Duty Polyurethane Cutting Edges
34621	Light Duty Cutting Edge (reg. 1/2 x 6 x 30)
34624	3/4" Light Duty Cutting Edges
34625	3/4" Light Duty Cutting Edges Heat Treated w/ 1" Carbide
34629	Light Duty Cutting Edges Heat Treated w/ 1" Carbide
Limiter Assy	Moldboard Limiter Assembly (Installation Per Section)
LDSPDecals	Light Duty Side Panel Decals (per side)

Please report any Arctic dealer that is selling or suggesting the use of aftermarket parts.

HEAVY DUTY PARTS

PART NO.	DESCRIPTION
7006	Polyblock Washer
7037	Center Pin Sleeve
7038	Extended Outer Pin
7055	9/16 USS Flat Washer
7061	5/8-11 Nylon Lock Nut
7061-Thin	5/8-11 Thin Nylon Lock Nut (Bottom LD Poly Nut)
7062-F	5/8-11 x 2.50 Hex Head Flange Bolt
7063	5/8-11 x 2.00 Plow Bolt
7064	5/8-11 x 2.00 Round Hd. Carriage Bolt
7069	5/32 x 2.00 Cotter Pin
7073	Outer Pin Sleeve
7074	5/8"-11 x 2-1/2" FSH Cap Screw
7078	Roll Pin
7081	Center Pin Washer
7096	0.25-20 Nylon Lock Nut
7112	Left Torsion Spring
7113	Center Torsion Spring
7117	Right Torsion Spring
7119	Extended Center Spring Pin
7630	Moldboard Limiter Frame Bolt: 1/2 - 13 x 3 Hex Head Cap Screw (2 per limiter)
7631	Moldboard Limiter Frame Nut: 1/2 - 13 Nylon Lock Nut (2 per limiter)
7632	Moldboard Limiter Frame Washer: 7/16 USS Flat Washer (4 per limiter)
7633	Moldboard Limiter End Block Screw: 3/8 - 16 x 1.50 Thread Cutter
10206	Heavy Duty Polyurethane Mounting Block
10207	Polyurethane Side Panel Spacer
10209	Heavy Duty Bottom Mounting Block (Optional Upgrade Block)
10230	Heavy Duty Moldboard Limiter
14500	Heavy Duty Polyurethane Cutting Edges
34500	Heavy Duty Cutting Edge (reg. 1/2 x 6 x 32)
34575	3/4" Heavy Duty Cutting Edge (Replaces Part#: 34627)

PART NO.	DESCRIPTION
34626	Heavy Duty Cutting Edges Heat Treated w/ 1" Carbide
34627	3/4" Heavy Duty Cutting Edge (New Part#: 34575)
34628	3/4" Heavy Duty Cutting Edges Heat Treated w/ 1" Carbide
95010	Heavy Duty Upper Main Frame Insert Plate
95011	Heavy Duty Upper Main Frame Insert Weldment
95020	Heavy-Duty Right Wear Shoe
95025	Heavy Duty Lower Main Frame Insert Plate
95028	5" x 1-5/16 Square Washer
95031	32" Trip Edge Assembly
95033	1.25-7 Slotted Hex Nut
95034	1 1/4-7 x 4 1/2 HH Cap Screw
95036	3/4"-10 Nylon Lock Nut
95037	Heavy Duty Side Panel Bushing
95041	1.25 USS Flat Washer
95047	0.25-20 x 2.50 Lg. Hex Bolt
95049	Heavy Duty Lower Main Frame Insert Weldment
95050	Heavy Duty Right Side Panel (without Decal)
95050-D	Heavy Duty Right Side Panel w/ Decal
95055	Polyblock Mount Weldment
95059	14' Heavy-Duty Frame
95065	Angle Mount Sliding Bar
95066	17' Heavy-Duty Frame
95067	19.5' Heavy-Duty Frame
95069	5/8-11 x 3.00 Lg. Hex Hd. Bolt
95069-F	5/8-11 x 3.00 Hex Head Flange Bolt
95072	Heavy Duty Mounting Pin
95079	22' Heavy-Duty Frame
95080	27.5' Heavy-Duty Frame
95081	Heavy-Duty Left Wear Shoe
95082	Heavy Duty Left Side Panel (without Decal)

PART NO.	DESCRIPTION
95082-D	Heavy Duty Left Side Panel w/ Decal
95083	Right Slip-Hitch Mounting Angle
95086	Left Slip-Hitch Mounting Angle
95095	Heavy Duty Moldboard
95100	11.5' Heavy-Duty Frame
95105	Heavy Duty Moldboard Assembly Complete
95505	Adjustable Slide Bracket
ST10210	Center Spring Tool
Y10209	Arctic Yellow Spray Paint
HDSPDecals	Heavy Duty Side Panel Decals (per side)
Ext-Slide Assy	Extended Adjustable Slide Brackets Fabrication/Assembly on HD Pusher

OPTIONAL REPLACEMENT PARTS

CUTTING EDGES

PART NO.	DESCRIPTION
14500	Heavy Duty Polyurethane Cutting Edges
14621	Light Duty Polyurethane Cutting Edges
34575	3/4" Heavy Duty Cutting Edge (Replaces Part#: 34627)
34624	3/4" Light Duty Cutting Edges
34625	3/4" Light Duty Cutting Edges Heat Treated w/ 1" Carbide
34626	Heavy Duty Cutting Edges Heat Treated w/ 1" Carbide
34627	3/4" Heavy Duty Cutting Edge (New Part#: 34575)
34628	3/4" Heavy Duty Cutting Edges Heat Treated w/ 1" Carbide
34629	Light Duty Cutting Edges Heat Treated w/ 1" Carbide

WEAR SHOES

PART NO.	DESCRIPTION
7034-P	Light-Duty Polyurethane Right Wear Shoe
7035-P	Light-Duty Polyurethane Left Wear Shoe

POLYBLOCKS & LIMITERS

PART NO.	DESCRIPTION
10208	Light Duty Bottom Mounting Block
10209	Heavy Duty Bottom Mounting Block (Optional-Upgrade Block)
10230	Heavy Duty Moldboard Limiter
10231	Light Duty Moldboard Limiter
10232	Moldboard Limiter Polyurethane End Block
Limiter Assy	Moldboard Limiter Assembly (Installation Per Section)
Ext-Slide Assy	Extended Adjustable Slide Brackets Fabrication/Assembly on HD Pusher

HARDWARE

PART NO.	DESCRIPTION
7061-Thin	5/8-11 Thin Nylon Lock Nut (Bottom LD Poly Nut)
07619	Xtra-Duty Universal Skid Steer Mount (3/8" Thick /w Additional Bracing)
7630	Moldboard Limiter Frame Bolt: 1/2 - 13 x 3 Hex Head Cap Screw (2 per limiter)
7631	Moldboard Limiter Frame Nut: 1/2 - 13 Nylon Lock Nut (2 per limiter)
7632	Moldboard Limiter Frame Washer: 7/16 USS Flat Washer (4 per limiter)
7633	Moldboard Limiter End Block Screw: 3/8 - 16 x 1.50 Thread Cutter

MISC.

PART NO.	DESCRIPTION
LDSPDecals	Light Duty Side Panel Decals (per side)
HDSPDecals	Heavy Duty Side Panel Decals (per side)
ST10210	Center Spring Tool
Y10209	Arctic Yellow Spray Paint
GAL Black	Gallon Arctic Black Paint
GAL Yellow	Gallon Arctic Yellow Paint

Please report any Arctic dealer that is selling or suggesting the use of aftermarket parts.

NOTES _____



101 Euclid Avenue, Bradley, IL 60915

www.arcticsnowproducts.com

©2020 Arctic Snow & Ice Products, Inc. – All Rights Reserved. Sectional Sno-Pusher™ is a trademark registered in the United States, owned by Arctic Snow and Ice Products Inc.

IMPORTANT: Arctic Snow and Ice Products Inc. reserves the right to change these specifications without any notice and without incurring any obligation relating to such change.



REV. A | 2020.05.20.SSP
Printed in U.S.A.