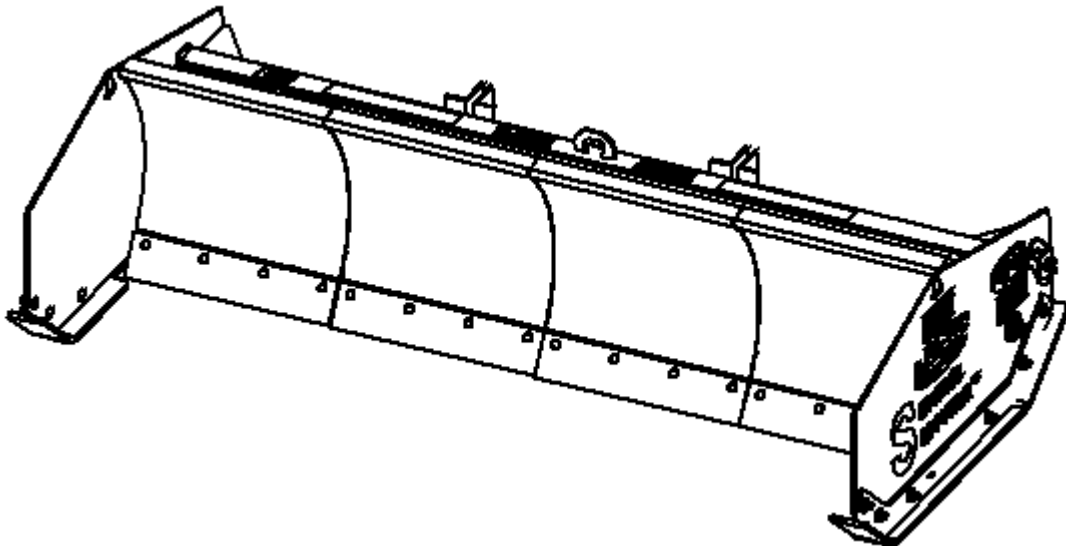




# SECTIONAL NO-PUSHER™

## LIGHT DUTY PARTS MANUAL

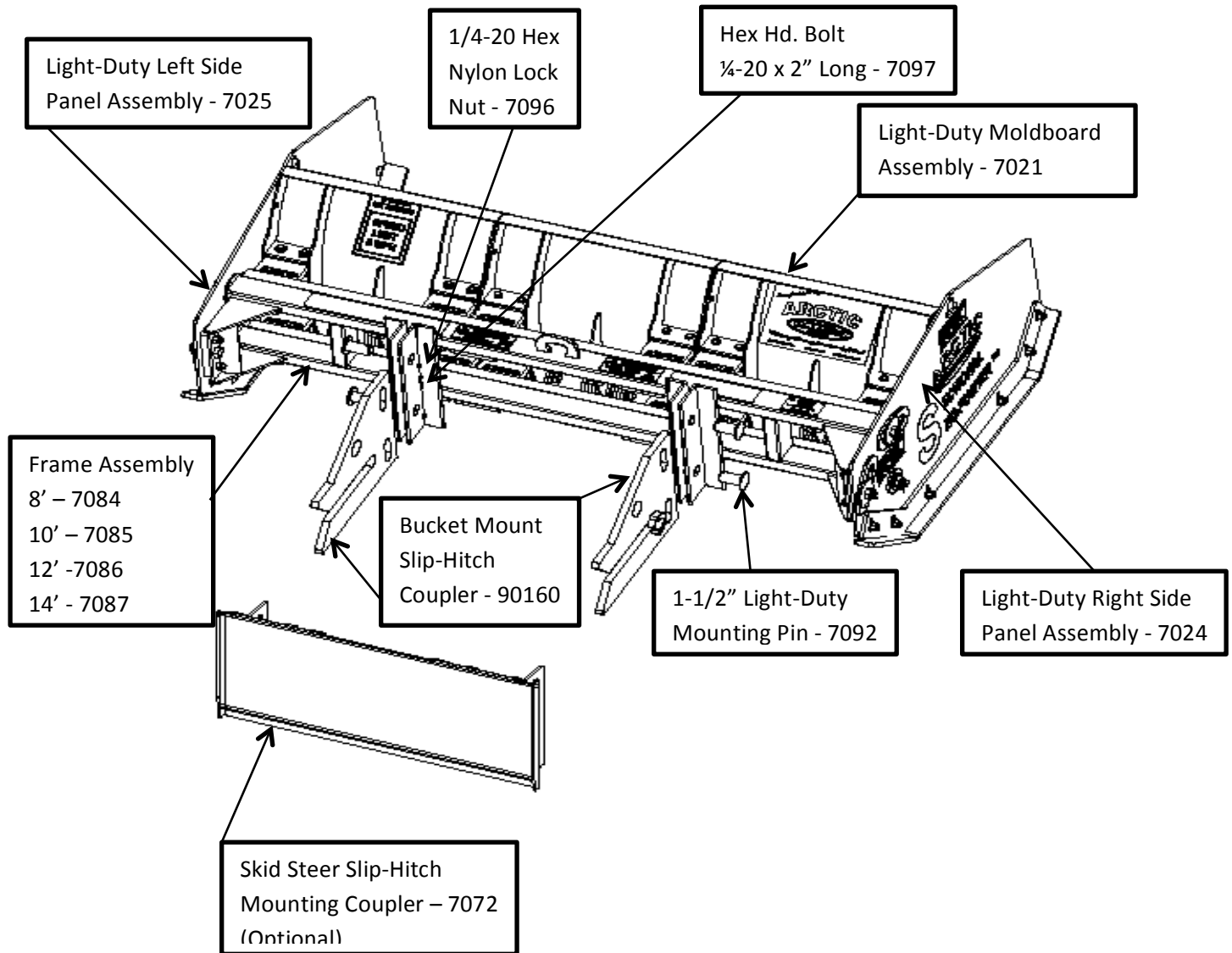


REV. 2  
RELEASED 3/19/2013

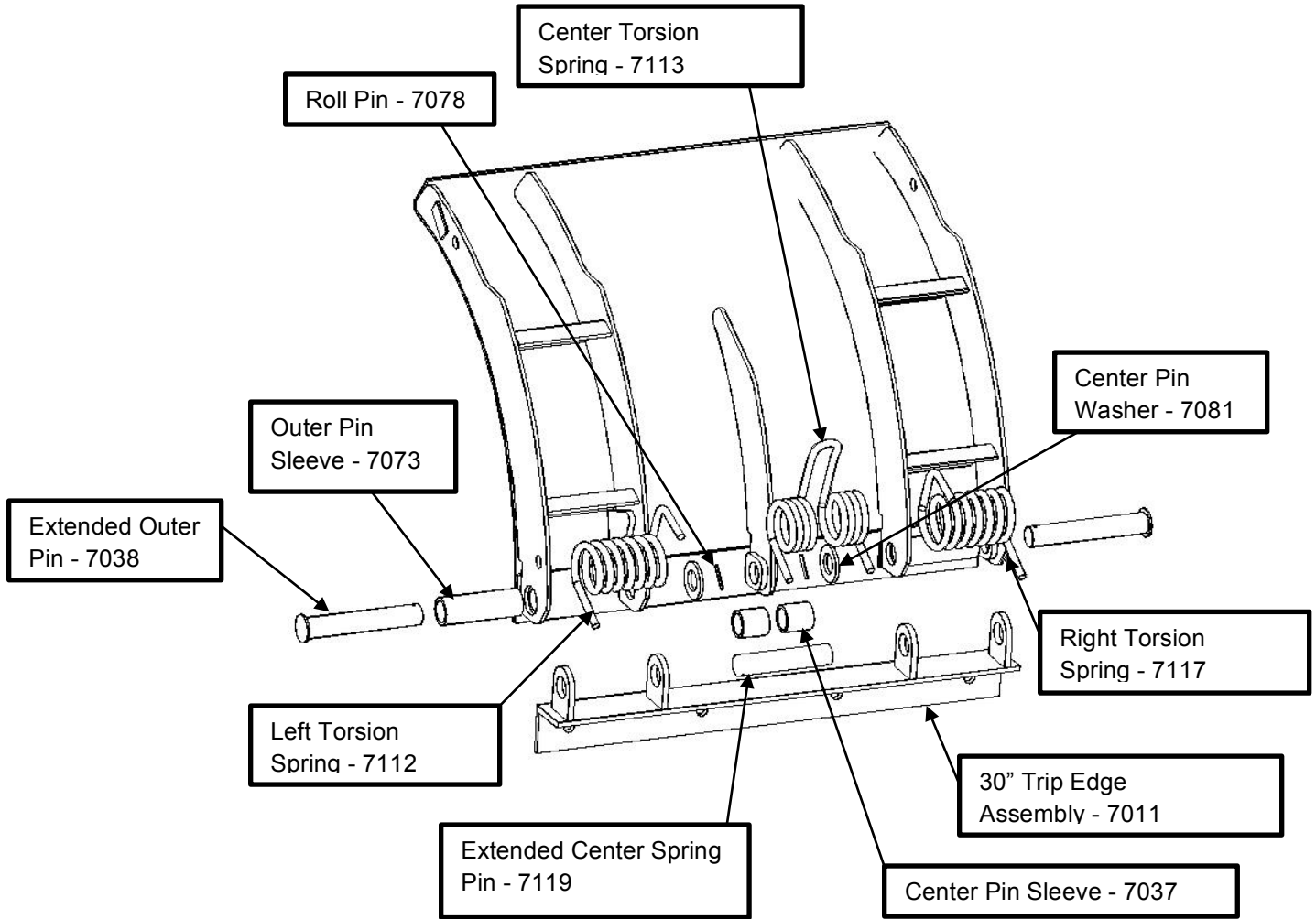
# Table of Contents

<b>1. Complete Unit</b>	<b>Pg. 3</b>
<b>2. Light Duty Moldboard</b>	<b>Pg. 4</b>
<b>3. Light Duty Side Panel with Wear Shoe</b>	<b>Pg. 5</b>
<b>4. Installation of Side Panel to Main Frame Hardware</b>	<b>Pg. 6</b>
<b>5. Main Frame</b>	<b>Pg. 7</b>
<b>6. Installation of Light Duty Moldboard to Main Frame Hardware</b>	<b>Pg. 8</b>
<b>7. Parts List</b>	<b>Pg. 9-10</b>

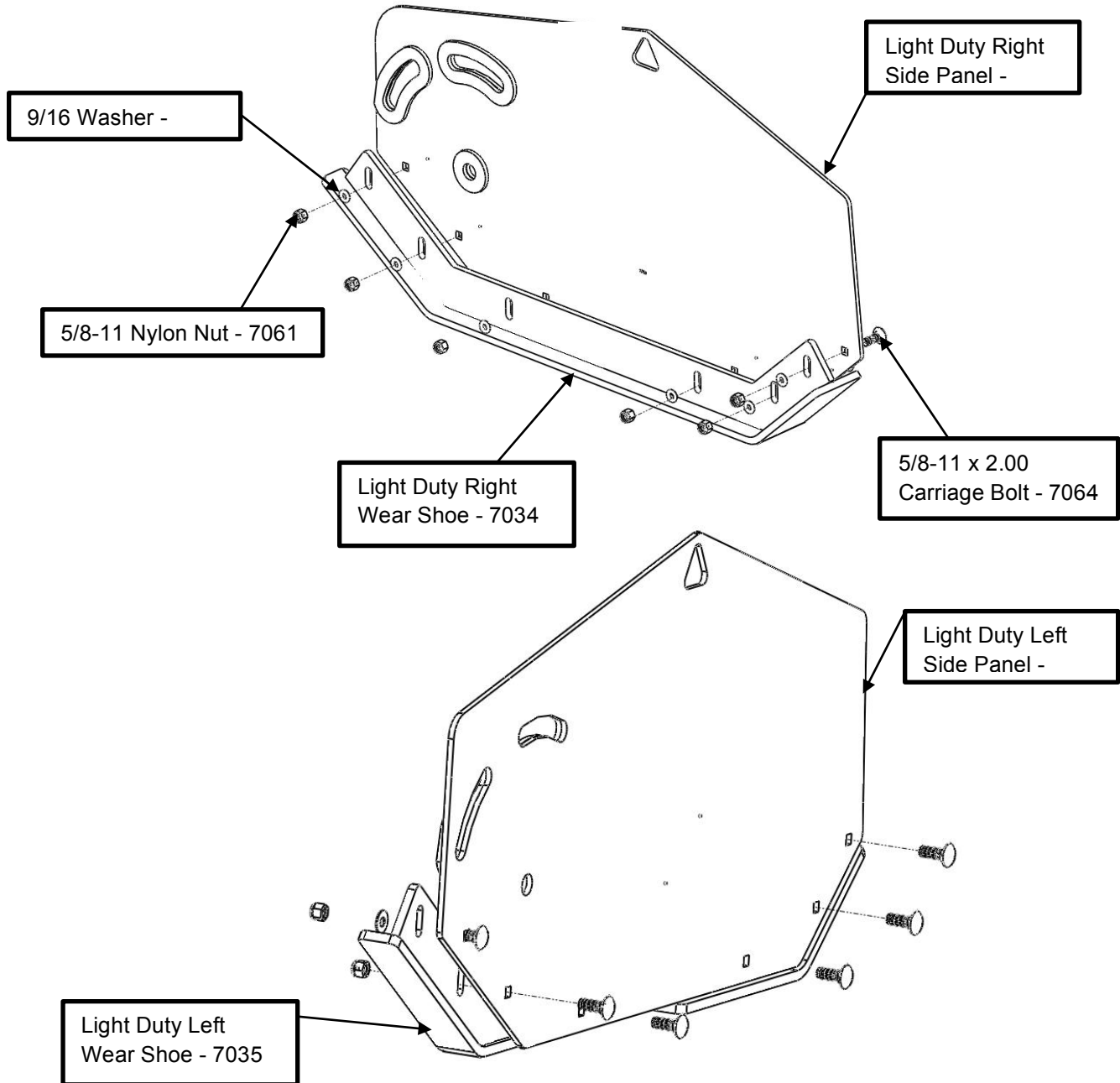
## Complete Unit



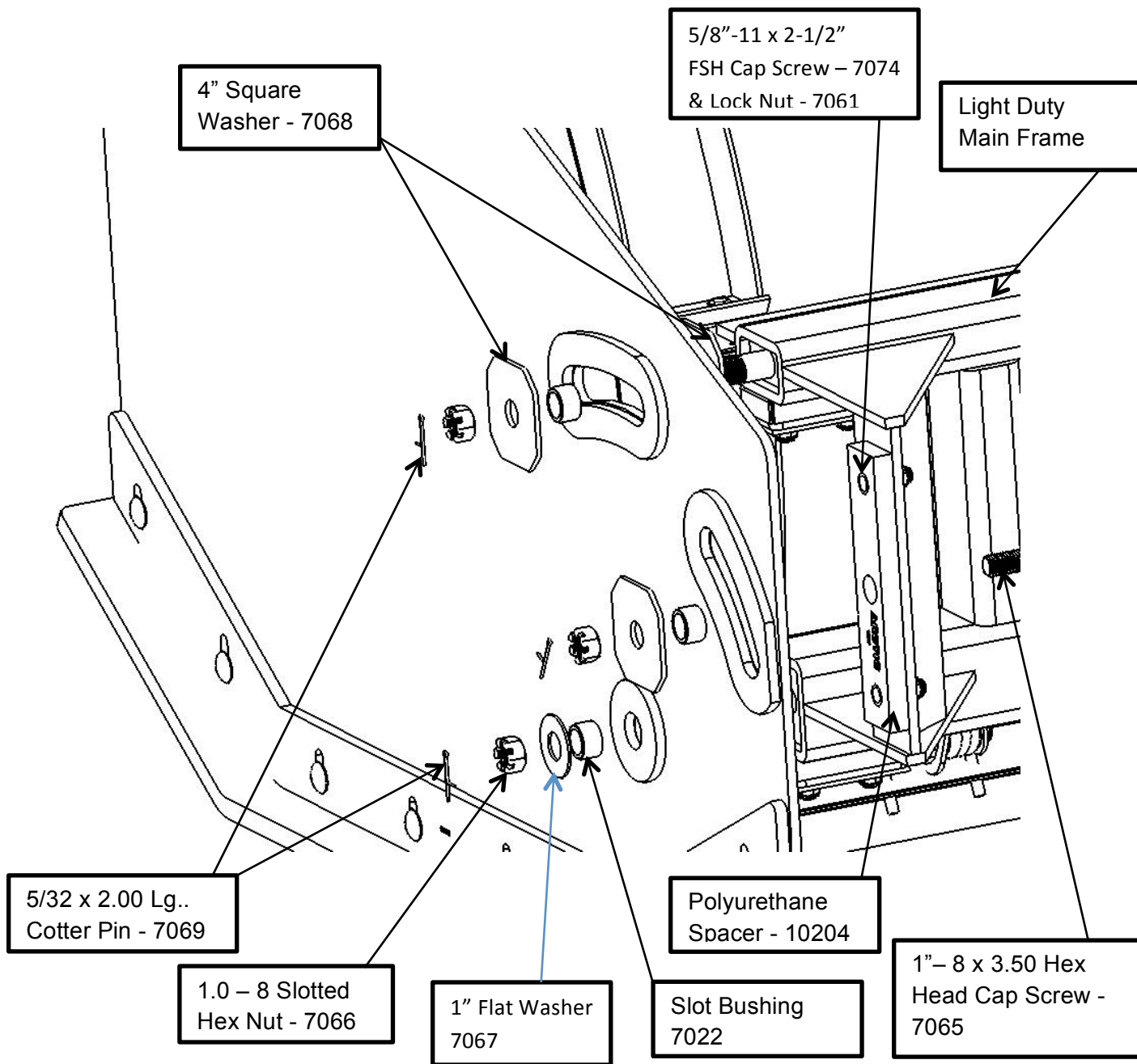
# Light Duty Moldboard 7021



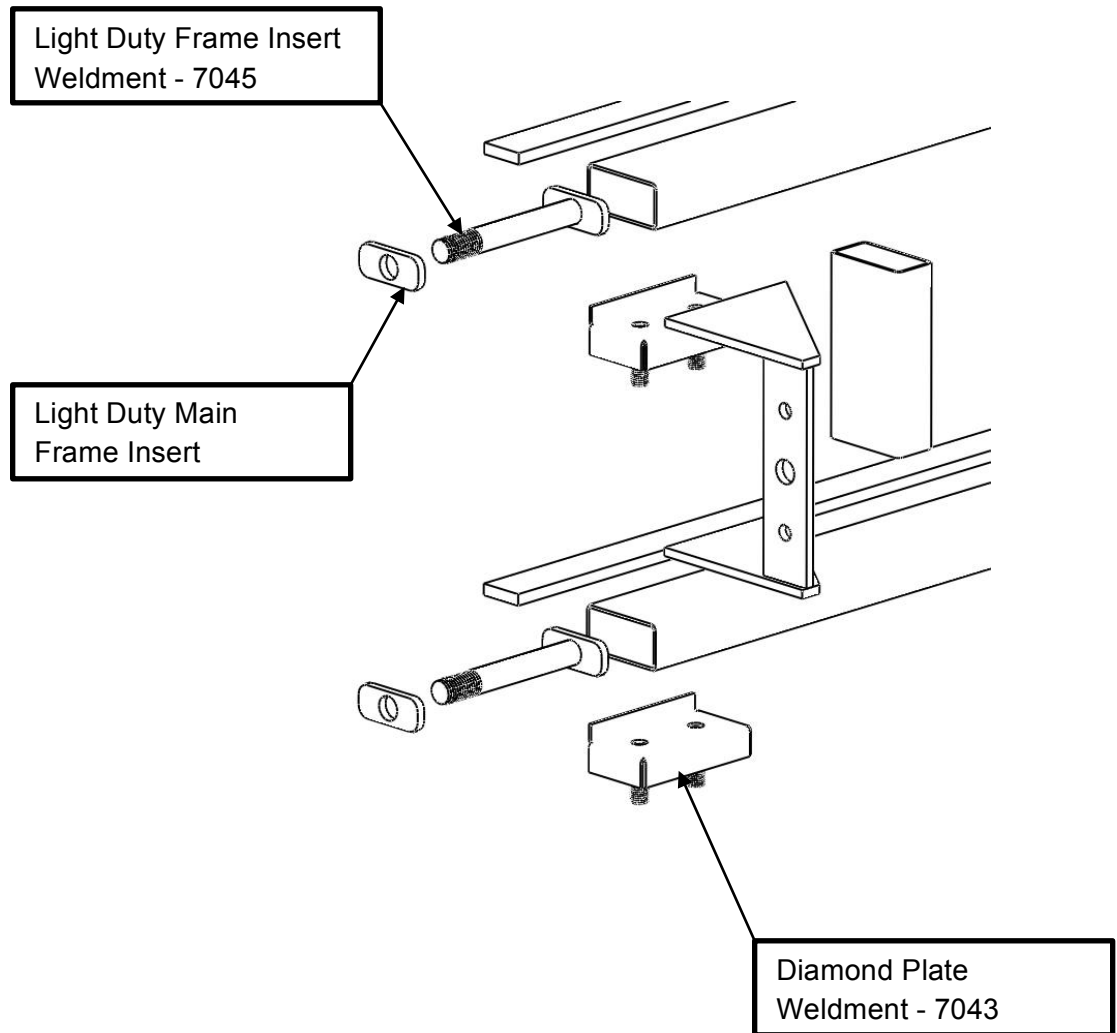
## Light Duty Side Panel with Wear Shoe



## Installation of Side Panel to Main Frame Hardware



## Main Frame



8 Ft Light-Duty Frame	320 lbs.	# 7084
10 Ft Light-Duty Frame	405 lbs.	# 7085
12 Ft Light-Duty Frame	505 lbs.	# 7086
14 Ft Light-Duty Frame	650 lbs.	# 7087

## Install Light Duty Moldboard to Main Frame Hardware

9/16 Flat Washer - 7055

5/8-11 x 2.50 Lg. Hex Hd.  
Bolt - 7062

Moldboard Assembly - 7021

Light Duty Cutting  
Edge - 34621

5/8-11 x 2.00 Plow Bolt - 7063

5/8-11 Nylon Nut - 7061

Light Duty Polyurethane  
Mounting Block - 10205

Polyblock Washer - 7006

Questions or comments feel  
free to call  
1 (815) 932.P.L.O.W.(7569)

**ARCTIC**  
REGISTERED  
OWNER'S-BOX PRODUCTS  
SINCE 1958  
**SECTIONAL**  
**NO-PUSHER™**

Phone: 815-932-7569  
Fax: 815-939-1465

[www.sectionalsnopusher.com](http://www.sectionalsnopusher.com)



Pg. 3

<b>Light Duty Sectional Plow</b>		Part Number
<b>Complete Unit</b>		
Light Duty Mold Board Assembly		7021
Light Duty Mounting Pin		7092
0.25-20 x 2.00 Lg. Hex Bolt		7097
0.25-20 Nylon Hex Nut		7096
Light Duty Left Side Panel Assembly		7025
Light Duty Right Side Panel Assembly		7024
Light Duty Bucket Mounts		90160
8' Light Duty Frame		7084
10' Light Duty Frame		7085
12' Light Duty Frame		7086
14' Light Duty Frame		7087

Pg. 4

<b>Light Duty Moldboard</b>		
Center Torsion Spring		7113
Left Torsion Spring		7112
Right Torsion Spring		7117
30.0 Trip Edge Assembly		7011
Center Pin Sleeve		7037
Roll Pin		7078
Center Pin Washer		7081
Extended Outer Pin		7038
Outer Pin Sleeve		7073
Extended Center Spring Pin		7119

Pg. 5

<b>Light Duty Side Panel with Wear Shoe</b>		
Light-Duty Right Side Panel		7024
Light-Duty Left Side Panel		7025
Light-Duty Right Wear Shoe		7034
Light-Duty Left Wear Shoe		7035
9/16 USS Flat Washer		7055
5/8-11 Nylon Lock Nut		7061
5/8-11 x 2.00 Round Hd. Carriage Bolt		7064

Pg. 6

<b>Side Panel and Main Frame Hardware</b>		
1.0-8 x 3.50 Hex Hd. Cap Screw		7065
1-5/8" OD End Panel Slot Bushing		7022
4" Square Washer w/1-1/16" Dia. Hole		7068
5/32 x 2.00 Cotter Pin		7069
1.0-8 Slotted Hex Nut		7066
1" Flat Washer		7067

	5/8"-11 x 2-1/2" FSH Cap Screw	7074
	5/8"-11 Nylon Lock Nut	7061
	Polyurethane Side Panel Spacer	10204
Pg. 7	<b>Main Frame</b>	
	Light Duty Frame Insert Weldment	7045
	Light Duty Main Frame Insert Plate	7044
	Polyblock Mounting Diamond Plate Weldment	7043
Pg. 8	<b>Light Duty Moldboard to Main Frame Hardware</b>	
	Light Duty Cutting Edge	34621
	5/8-11 Nylon Lock Nut	7061
	5/8-11 x 2.00 Plow Bolt	7063
	1/4" Plate Polyblock Washer	7006
	Light Duty Polyurethane Mounting Block	10205
	Light Duty Moldboard Assembly	7021
	5/8-11 x 2.50 Lg. Hex Hd. Bolt	7062
	9/16 Flat Washer	7055